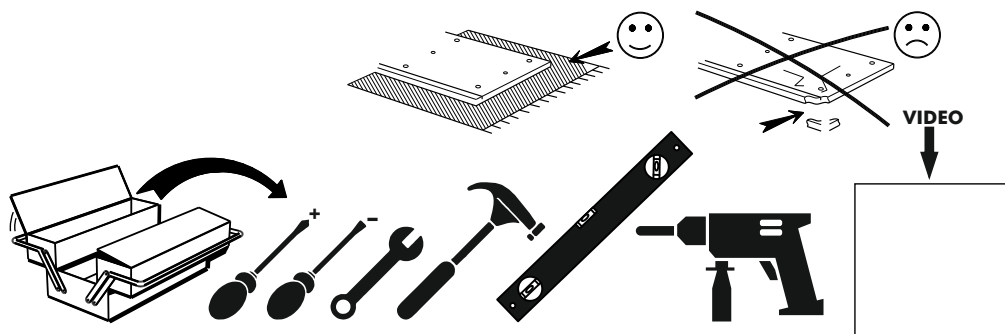
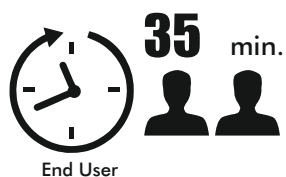
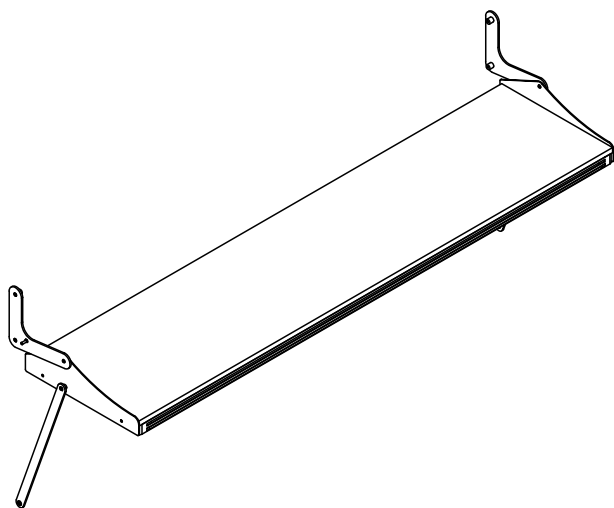


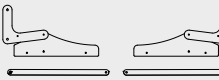
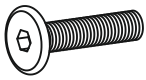
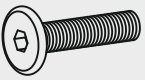
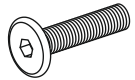



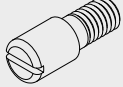
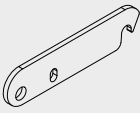



# MULTIMO

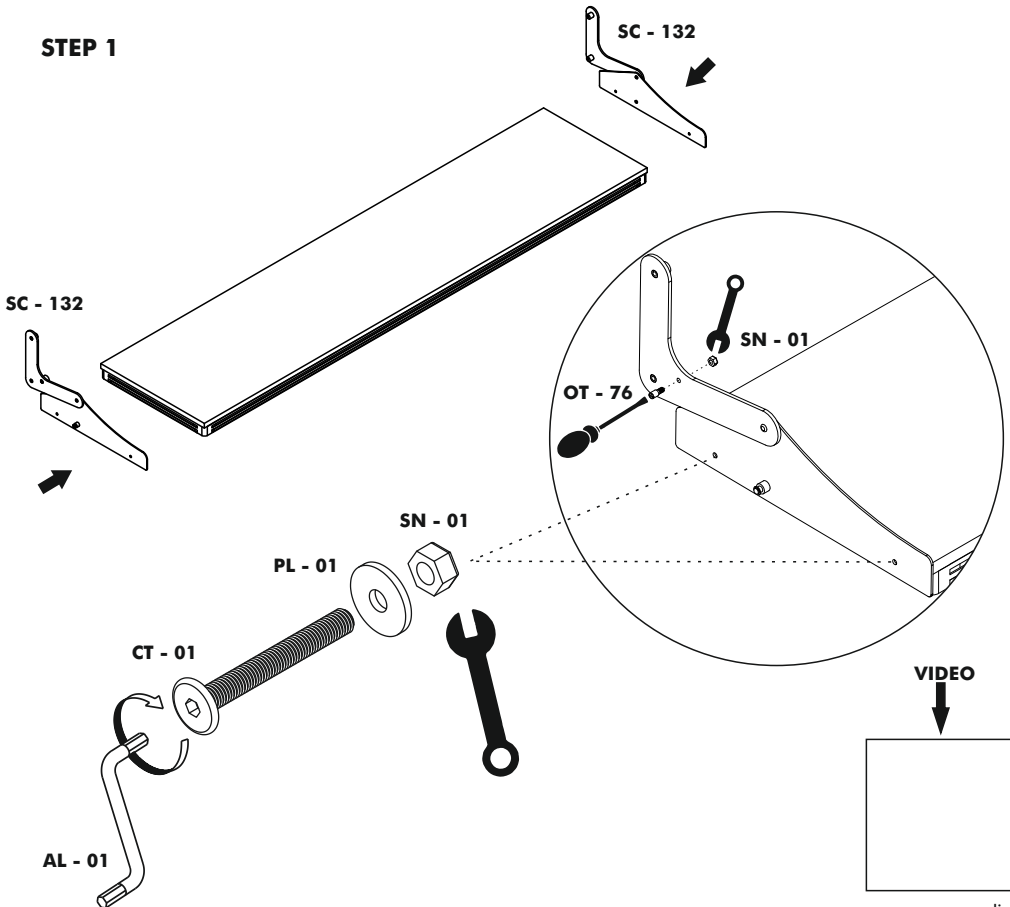
## A 222-H OPTIONAL TABLE



## Accessories List

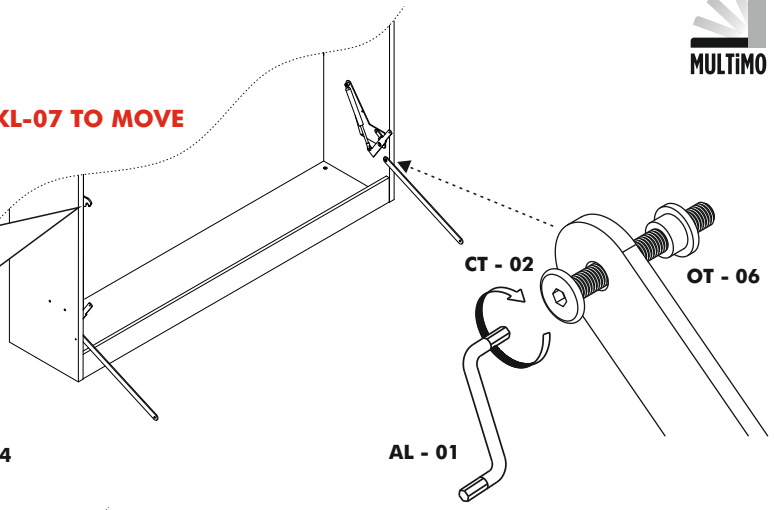
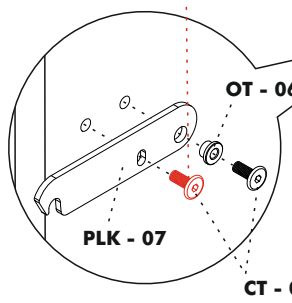
<p><b>SC-132</b></p>  <p>1 / piece</p>	<p><b>CT - 02 ( 6x30 ) mm</b></p>  <p>2 / piece</p>	<p><b>CT - 01 ( 6x40 ) mm</b></p>  <p>4 / piece</p>	<p><b>CT - 04 ( 6x20 ) mm</b></p>  <p>2 / piece</p>
<p><b>SN - 01 ( M6 )</b></p>  <p>5 / piece</p>	<p><b>OT-006</b></p>  <p>3 / piece</p>	<p><b>SG - 01</b></p>  <p>2 / piece</p>	<p><b>OT-076</b></p>  <p>1 / piece</p>
<p><b>PLK-07</b></p>  <p>1 / piece</p>	<p><b>PL - 01 (6x19x1) mm</b></p>  <p>4 / piece</p>		

### STEP 1

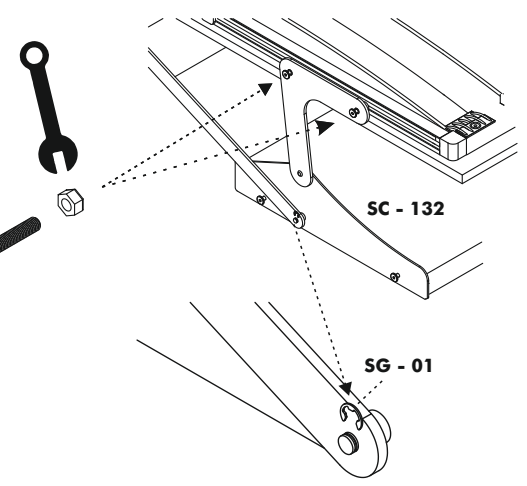
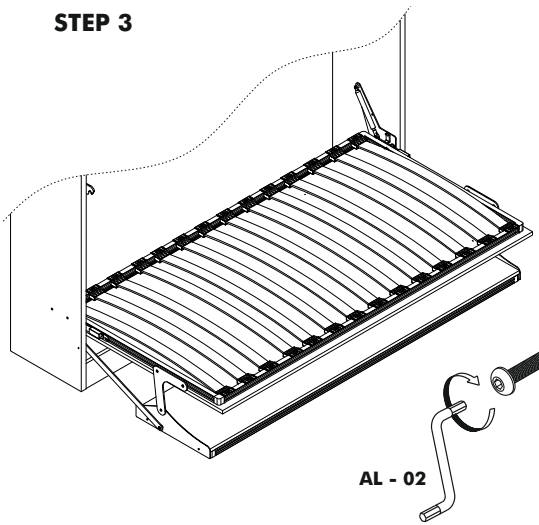


**STEP 2**

**ALLOW PKL-07 TO MOVE**

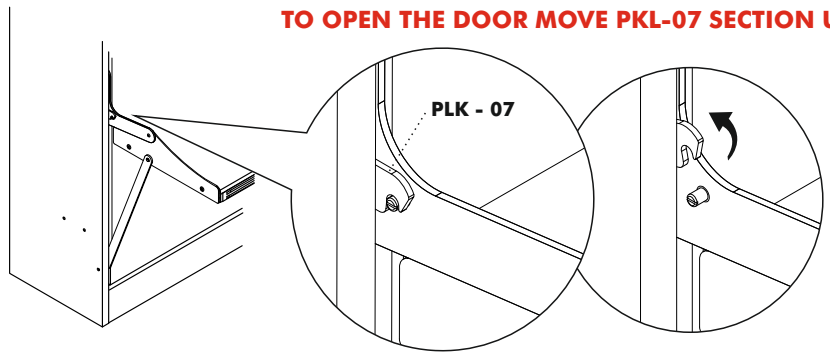


**STEP 3**

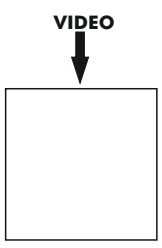


**STEP 4**

**TO OPEN THE DOOR MOVE PKL-07 SECTION UP**



**VIDEO**





**MULTiMO**

[www.multimobeds.com](http://www.multimobeds.com)