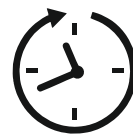
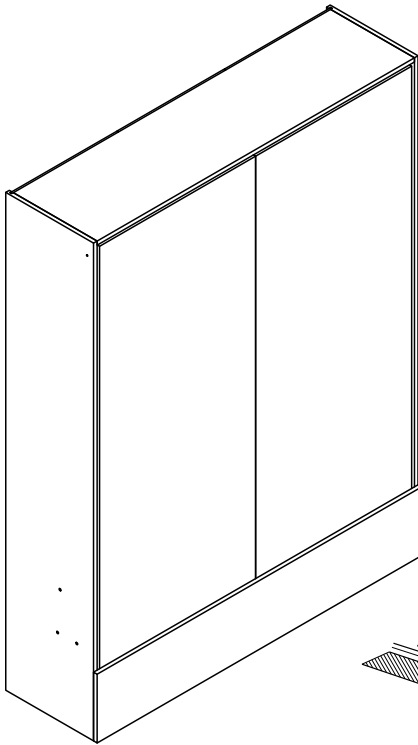




MULTIMO

A 560- LOFT BED QUEEN SIZE



3 hours



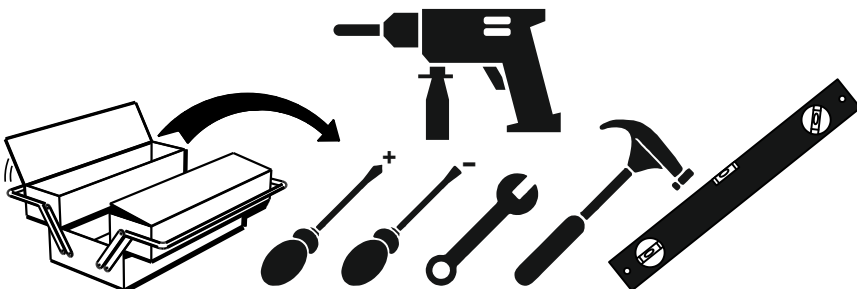
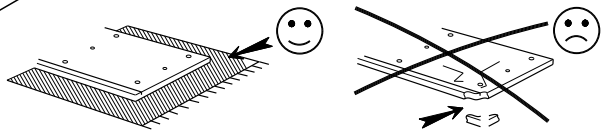
Technical Service



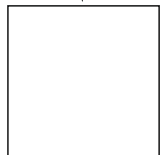
5 hours



End User



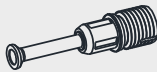
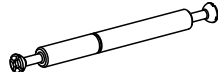


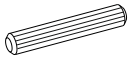
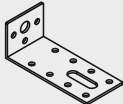
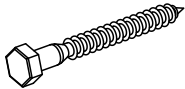


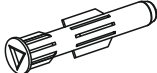
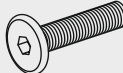




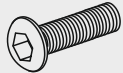
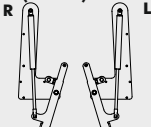

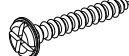
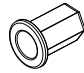


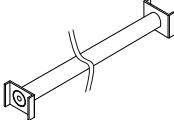

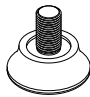
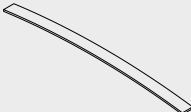
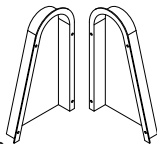
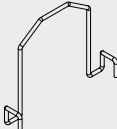
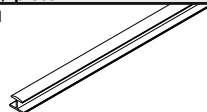



VIDEO

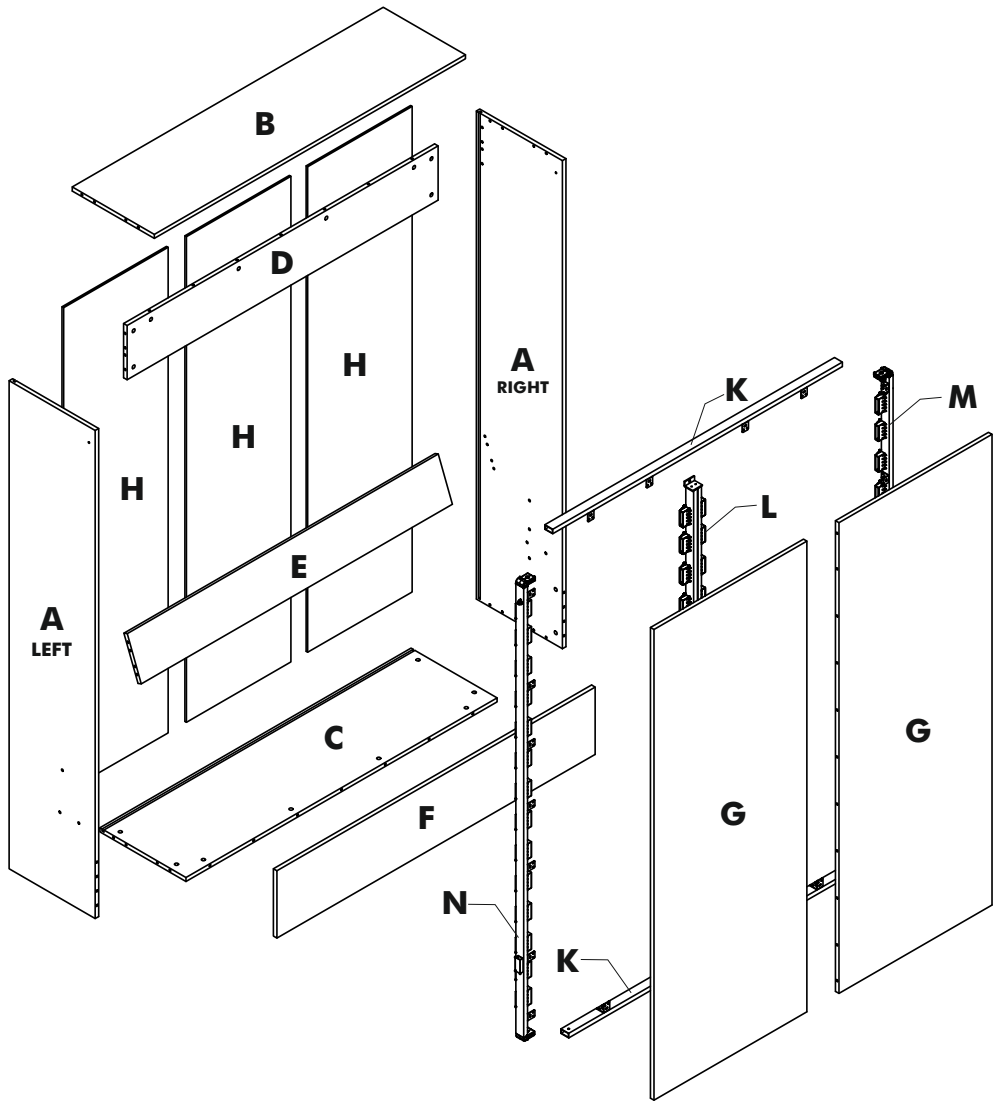


link

Track Title	Piece	(inch)			(mm)			
		Thickness	Length	Width	Piece	Thick	Height	Most
A-R / A-L	2	0,71	85,04	17,32	2	18	2160	440
B	1	0,71	62,60	16,54	1	18	1590	420
C	1	0,71	62,60	17,32	1	18	1590	440
D	1	0,71	62,60	9,45	1	18	1590	240
E	1	0,71	62,60	7,87	1	18	1590	200
F	1	0,71	64,02	11,73	1	18	1626	298
G	2	0,71	82,01	30,79	2	18	2083	782
H	3	0,31	84,61	21,02	3	8	2149	534

Accessories List

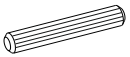
<p>MXN 02</p>  <p>28 / piece</p>	<p>MXN - 03</p>  <p>5 / piece</p>	<p>MNG - 01</p>  <p>38 / piece</p>	<p>TAP - 01</p>  <p>38 / piece</p>
<p>KVL 01</p>  <p>32 / piece</p>	<p>DSE - 01 (40x90x32) mm</p>  <p>3 / piece</p>	<p>TFC - 01(8x70) mm</p>  <p>3 / piece</p>	<p>PL - 02 (8x22x1) mm</p>  <p>3 / piece</p>
<p>VTB - 01 (4,8x16) mm</p>  <p>12 / piece</p>	<p>DD - 01 (R10)</p>  <p>3 / piece</p>	<p>CT - 08 (6x25) mm</p>  <p>4 / piece</p>	<p>OT-054</p>  <p>2 / piece</p>
<p>KP - 01 (224) mm</p>  <p>2 / piece</p>	<p>VKP - 01 (22) mm</p>  <p>4 / piece</p>	<p>AVT - 01</p>  <p>11 / piece</p>	<p>CTM - 02 (8x35) mm</p>  <p>2 / piece</p>
<p>MKZ - 03-2 (1200N)</p>  <p>1 / piece</p>	<p>IM - 02 (6x20) mm</p>  <p>8 / piece</p>	<p>YSB - 01 (3,9x16) mm</p>  <p>2 / piece</p>	<p>VD - 02 (3,5x25) mm</p>  <p>17 / piece</p>
<p>CTM - 01 (6x10) mm</p>  <p>4 / piece</p>	<p>SKT - 01</p>  <p>4 / piece</p>	<p>PLD-09</p>  <p>2 / piece</p>	<p>SN - 02 (M8)</p>  <p>2 / piece</p>
<p>SB-Ø19</p>  <p>1 / piece</p>	<p>SC-122 (R/L)</p>  <p>1 / piece</p>	<p>BAK - 01</p>  <p>2 / piece</p>	<p>LTA - 01</p>  <p>28 / piece</p>
<p>VTB - 02 (4,2x16) mm</p>  <p>68 / piece</p>	<p>KMT-01</p>  <p>1 / piece</p>	<p>TTC 01</p>  <p>4 / piece</p>	<p>H 01</p>  <p>2 / piece</p>
<p>KKS - 01</p>  <p>2 / piece</p>	<p>AL - 01 (4MM)</p>  <p>1 / piece</p>	<p>AL - 02 (5MM)</p>  <p>1 / piece</p>	



STEP 1

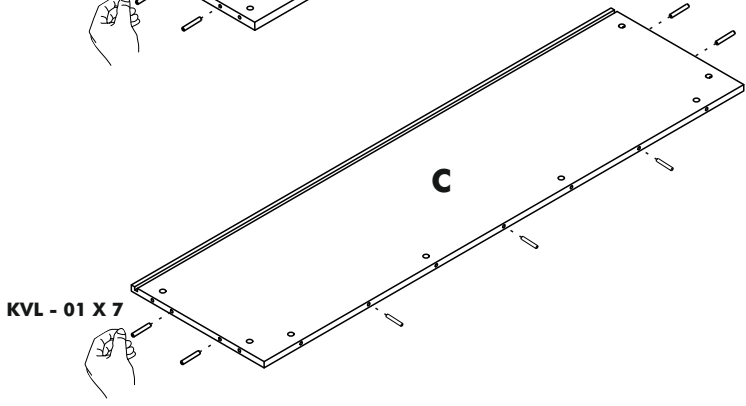
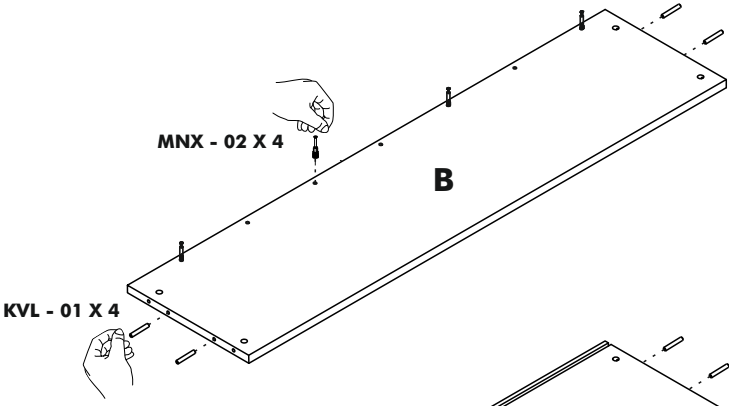
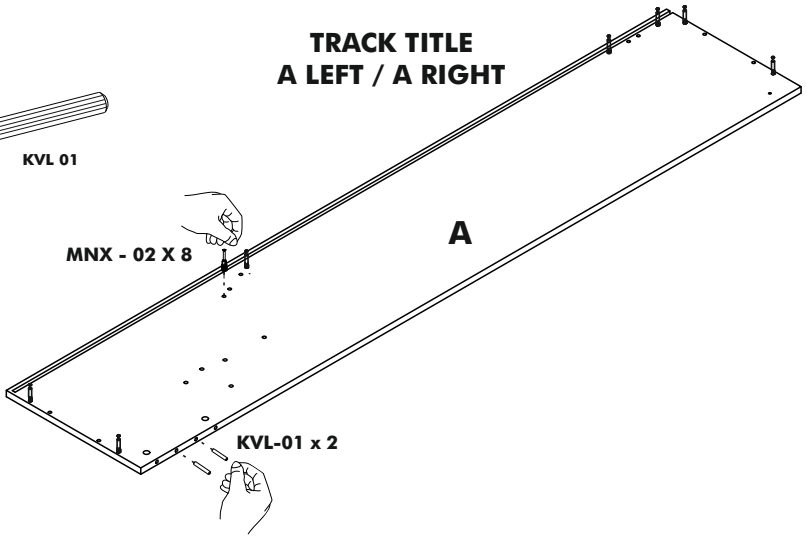


MNX - 02

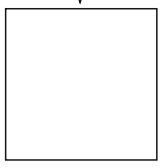


KVL 01

**TRACK TITLE
A LEFT / A RIGHT**

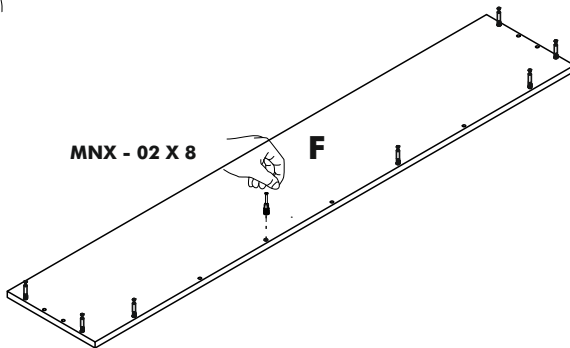
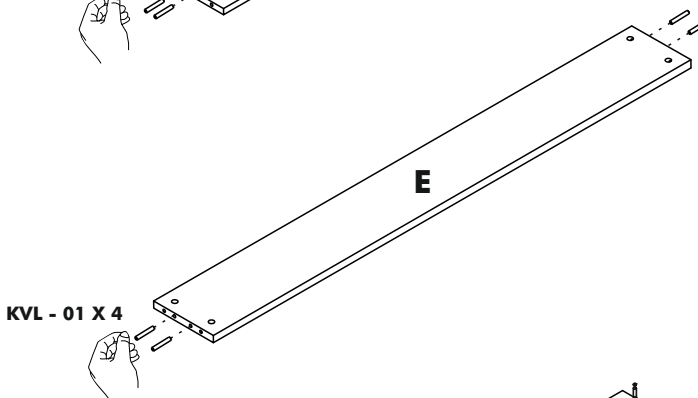
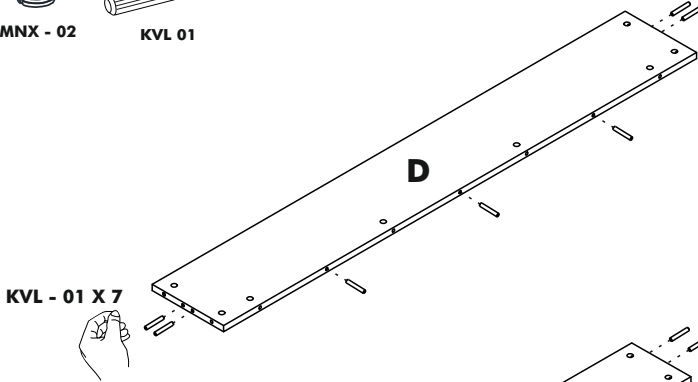
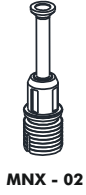


VIDEO

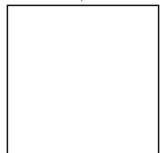


link

STEP 2

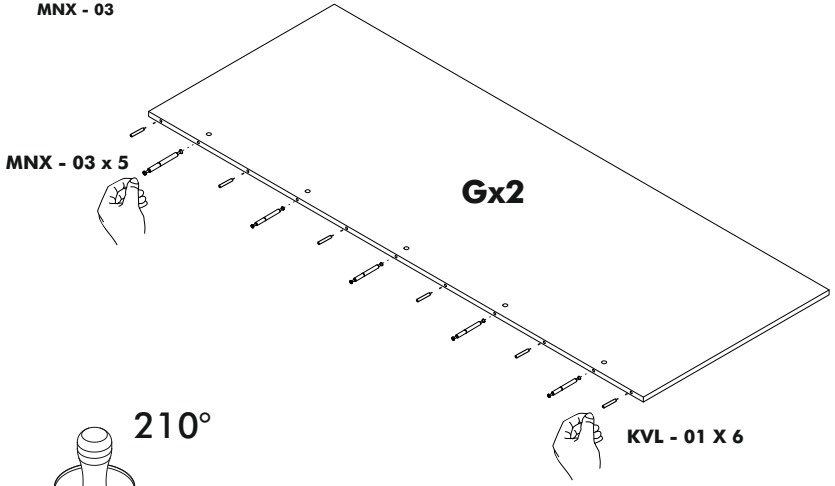
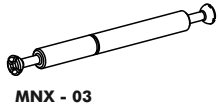
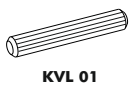


VIDEO

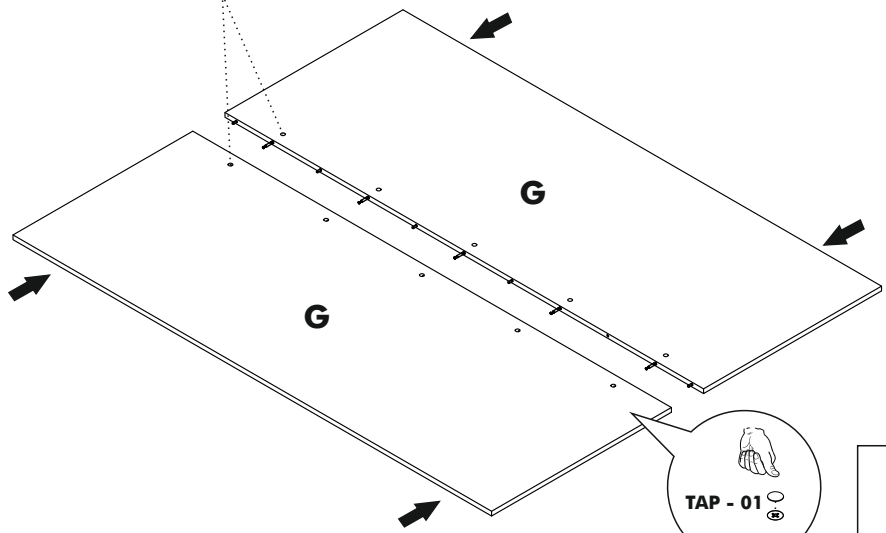
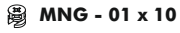
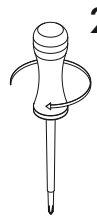


link

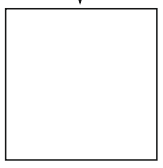
STEP 3



STEP 4



VIDEO

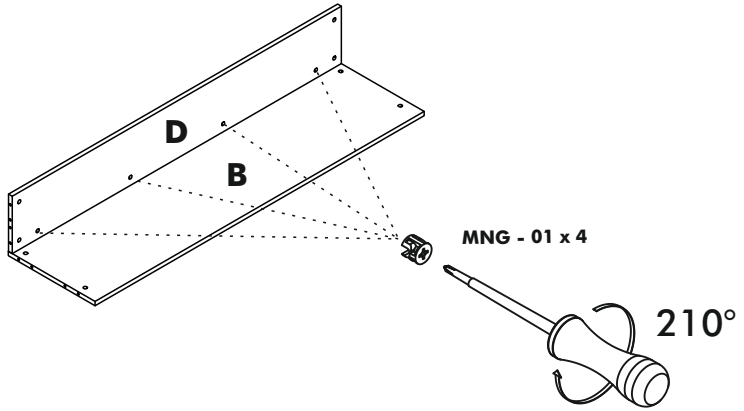


link

STEP 5



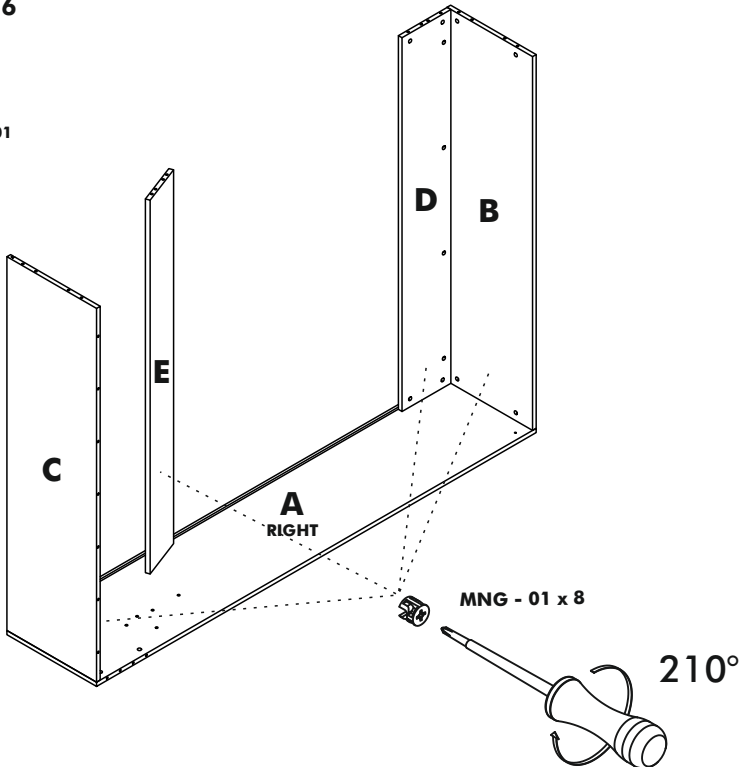
MNG - 01



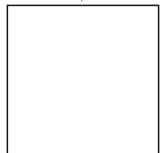
STEP 6



MNG - 01

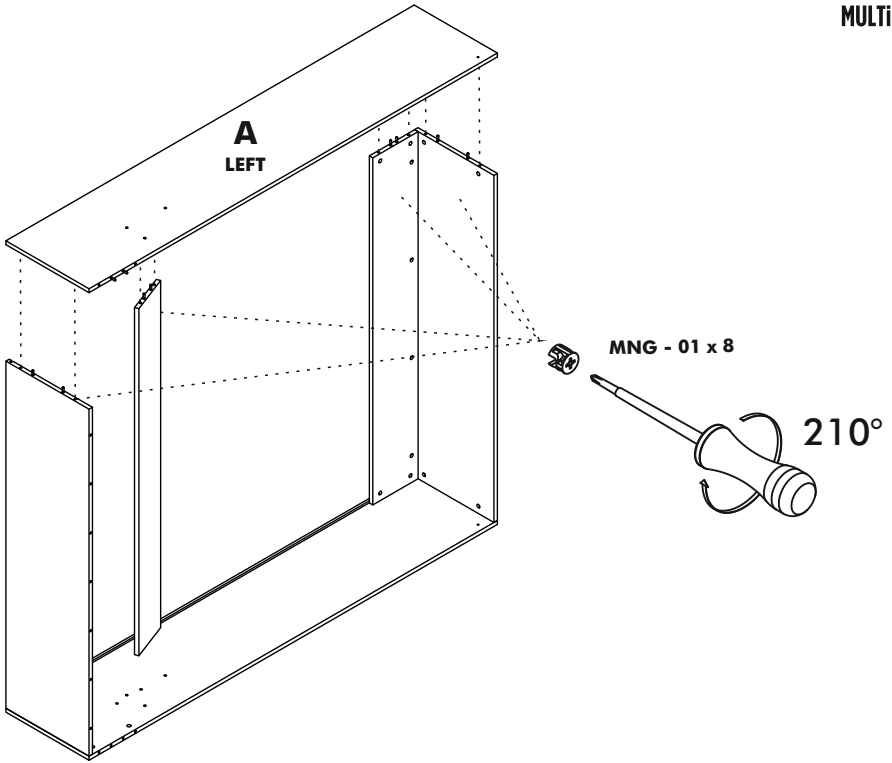


VIDEO

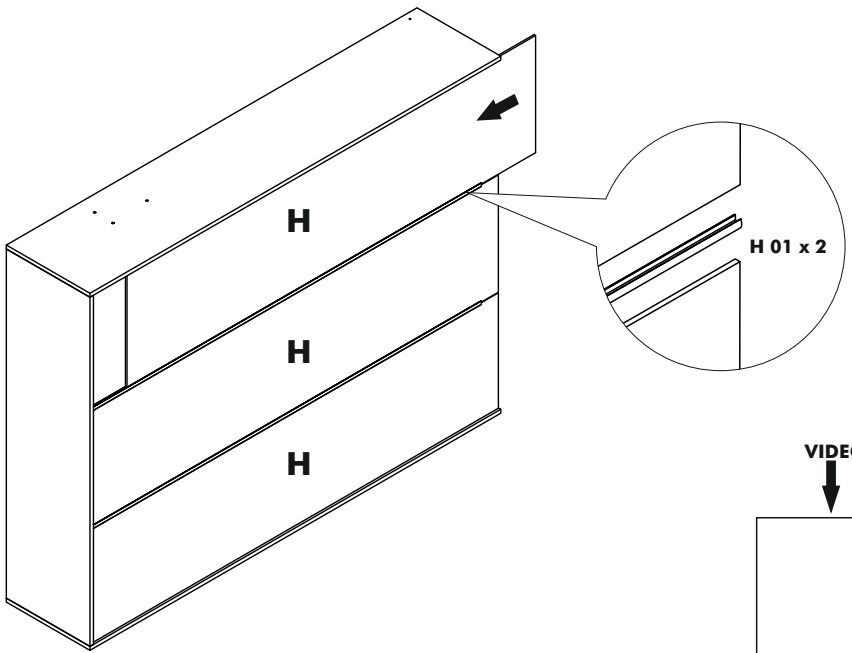


link

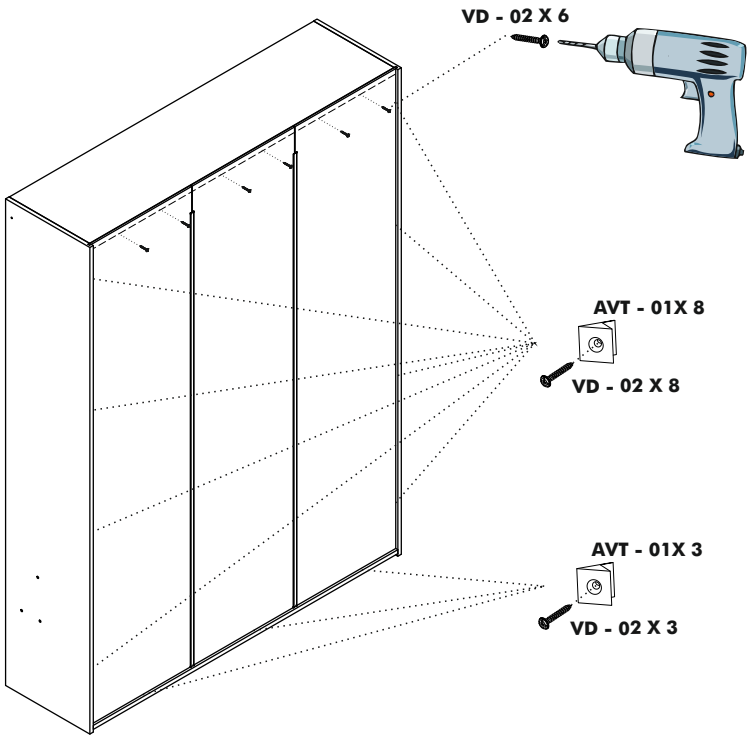
STEP 7



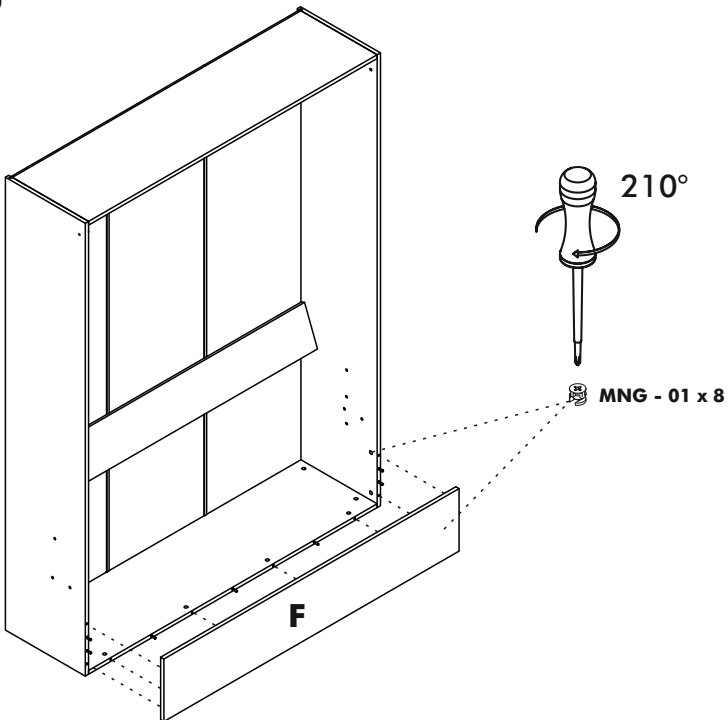
STEP 8



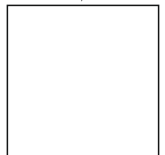
STEP 9



STEP 10



VIDEO

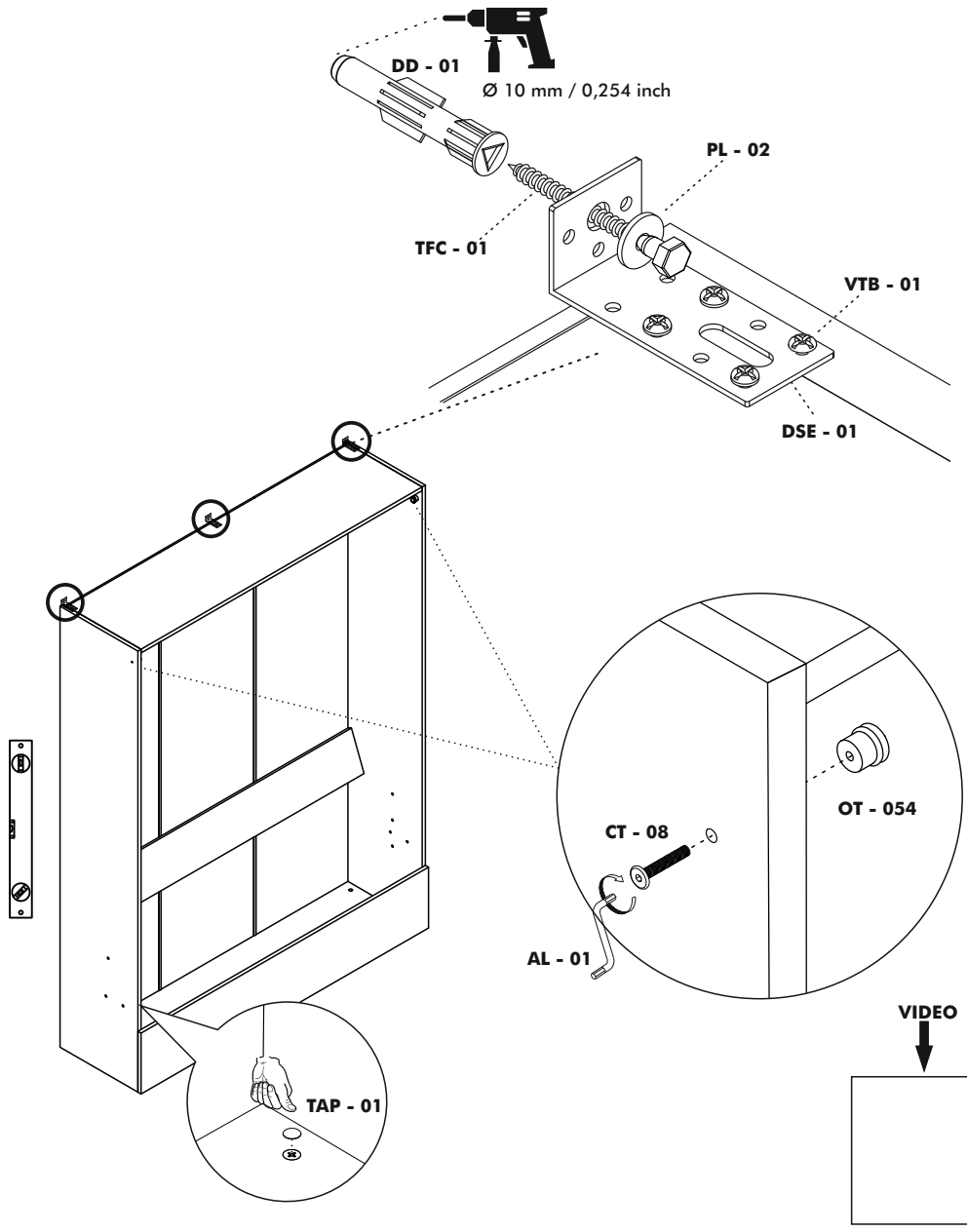


link

! ATTENTION!!!

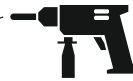
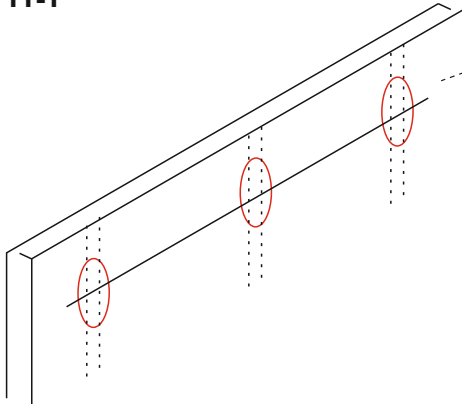
STEP 11

Must be secured to the wall made of brick, concrete or similarly strong material.
Mounting to wooden or metal studs is also acceptable.
Do not mount directly to sheetrock or paper-mache type walls not supported by studs.



WALLS MADE OF DRYWALL WITH WOODEN OR METAL STUDS

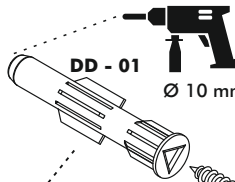
STEP 11-1



Ø 10 mm / 0,254 inc

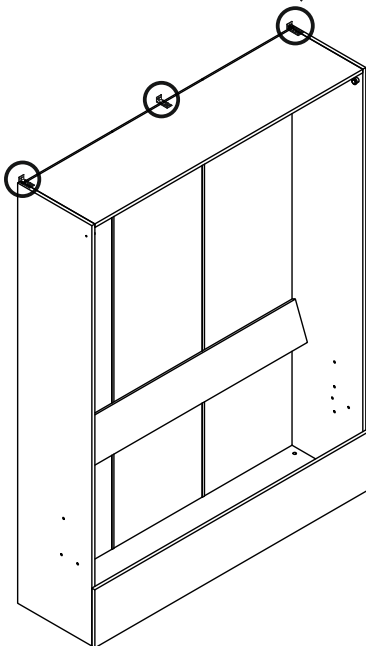


FIRST LOCATE THE STUDS BY USING "STUD FINDER" IN THE WALL AND DRILL IT ACCORDING TO THE HEIGHT MEASUREMENTS GIVEN ON THE SIDE. UPPER HOLES SHOULD BE DRILLED FOR ATTACHING BED AT NEXT STEP.

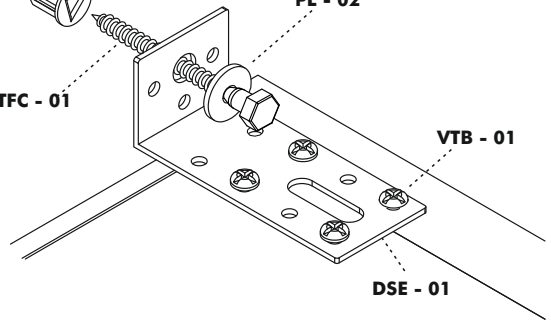


DD - 01

Ø 10 mm / 0,254 inch



TFC - 01



PL - 02

VTB - 01

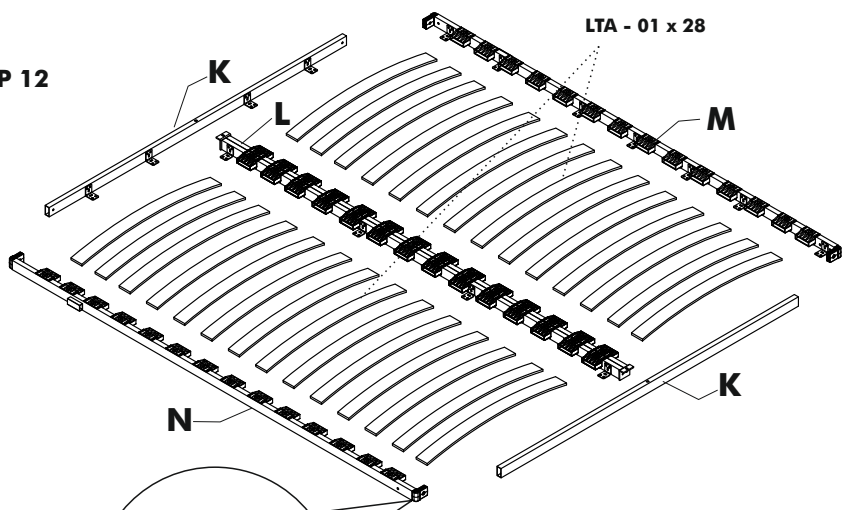
DSE - 01

NOT INCLUDED

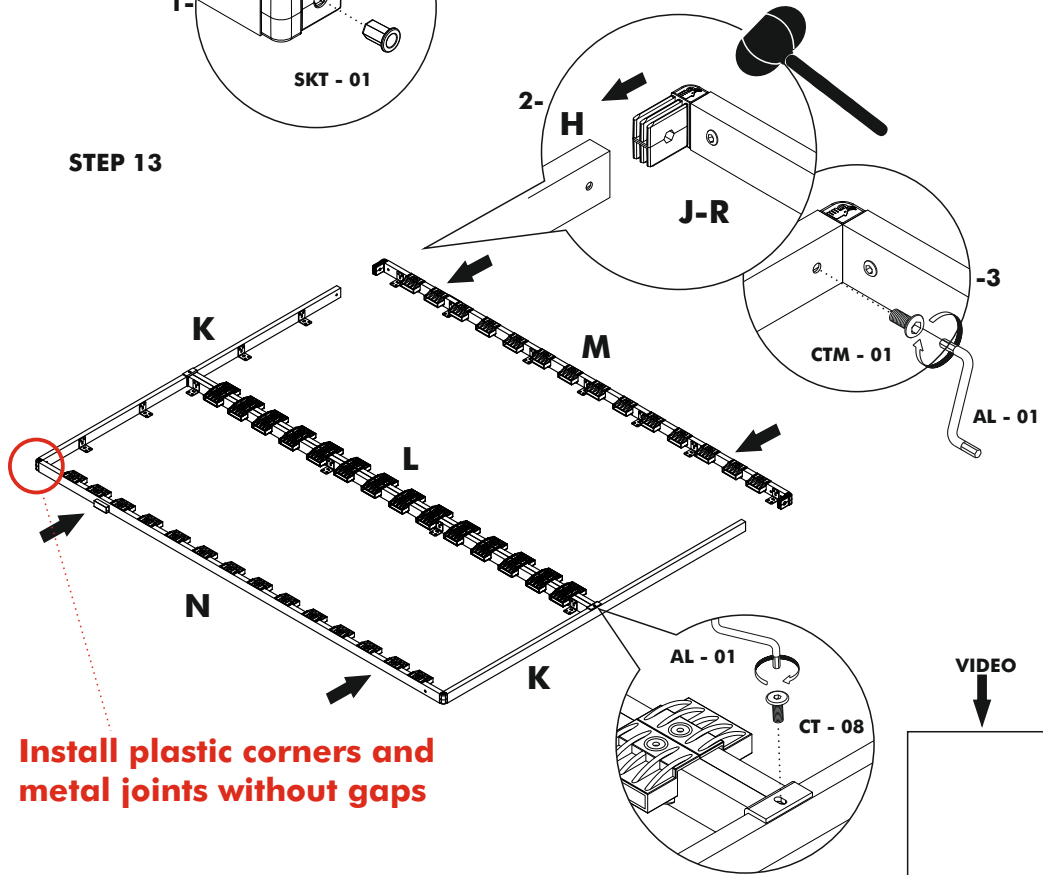
SUPPLY DRYWALL FASTENERS APPROPRIATE TO YOUR WALL TYPE. WE RECOMMEND USING STEEL TOGGLE BOLT ANCHOR THAT SHOWN BELOW



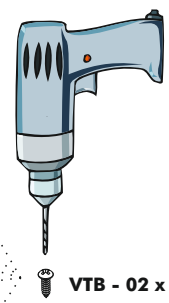
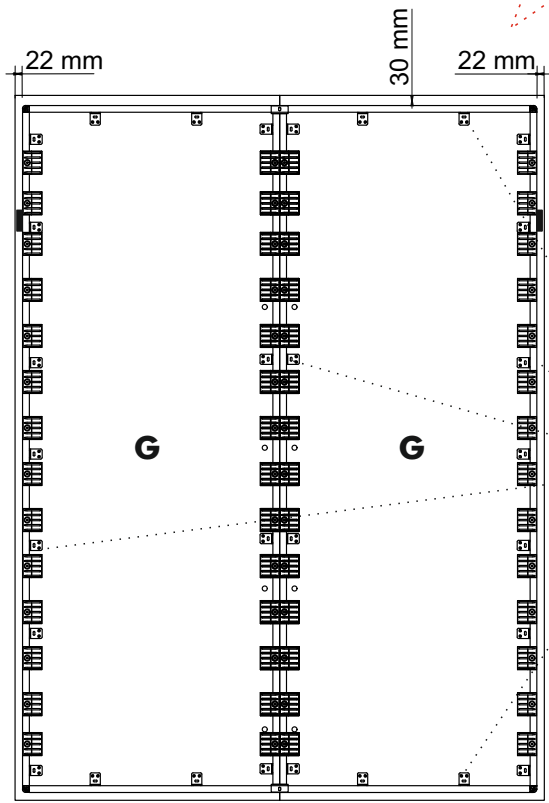
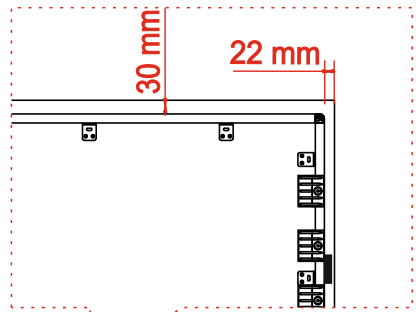
STEP 12



STEP 13

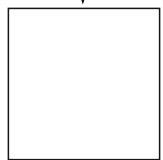


STEP 14



VTB - 02 x 60

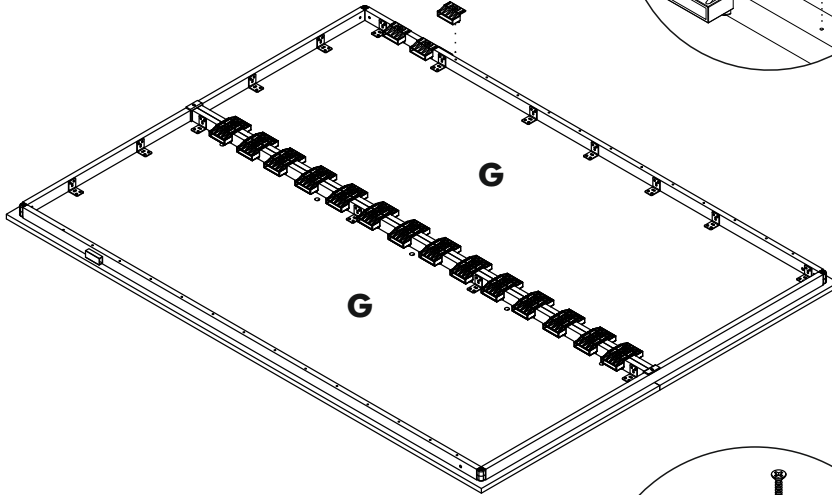
VIDEO



link

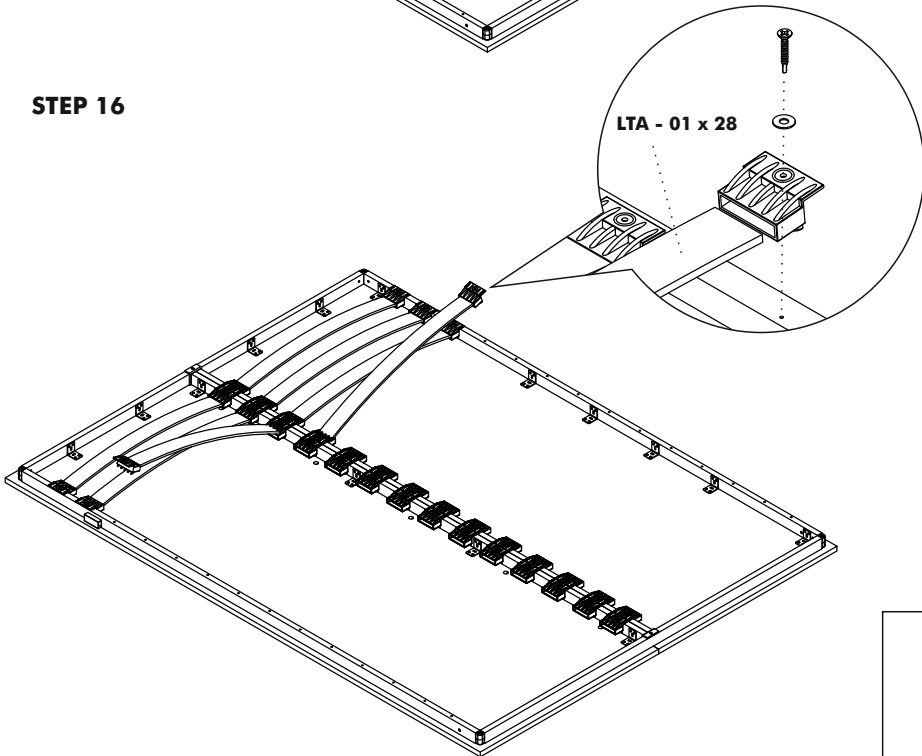
STEP 15

Unscrew the Screws

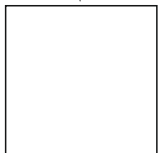


STEP 16

LTA - 01 x 28

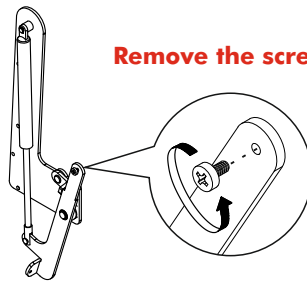
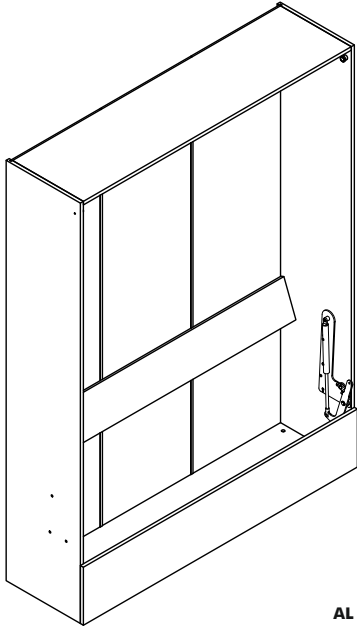


VIDEO

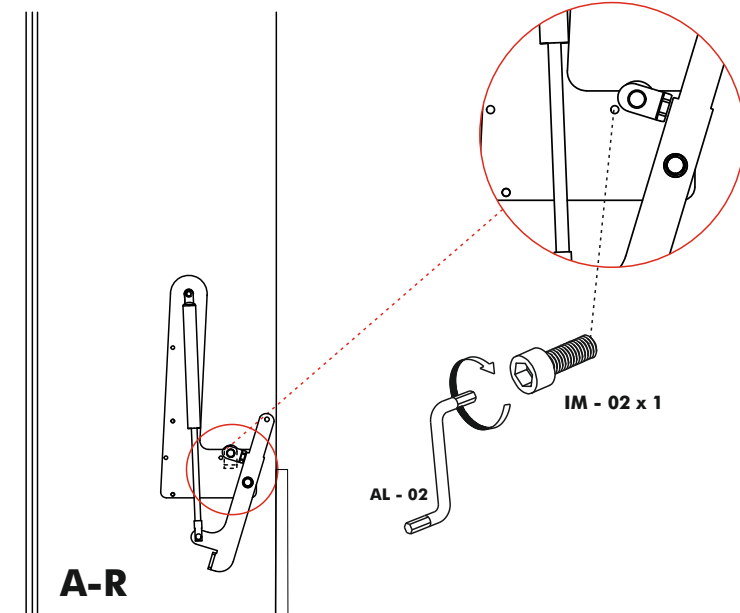
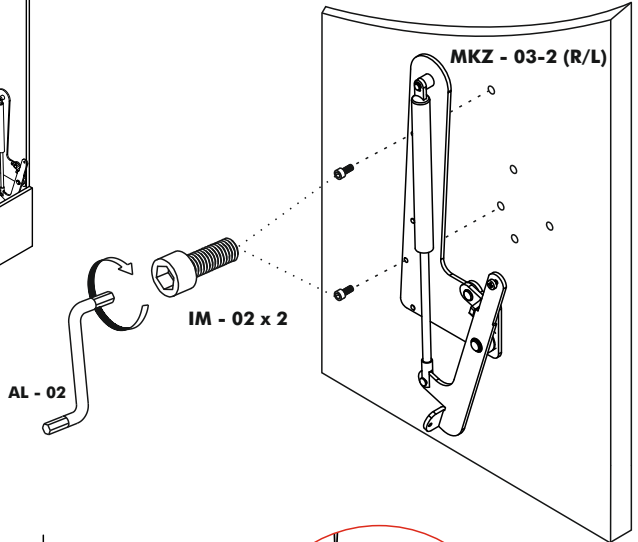


link

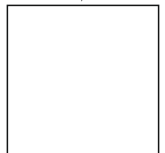
STEP 17



CAUTION
DO NOT UNLOCK BEFORE INSTALL



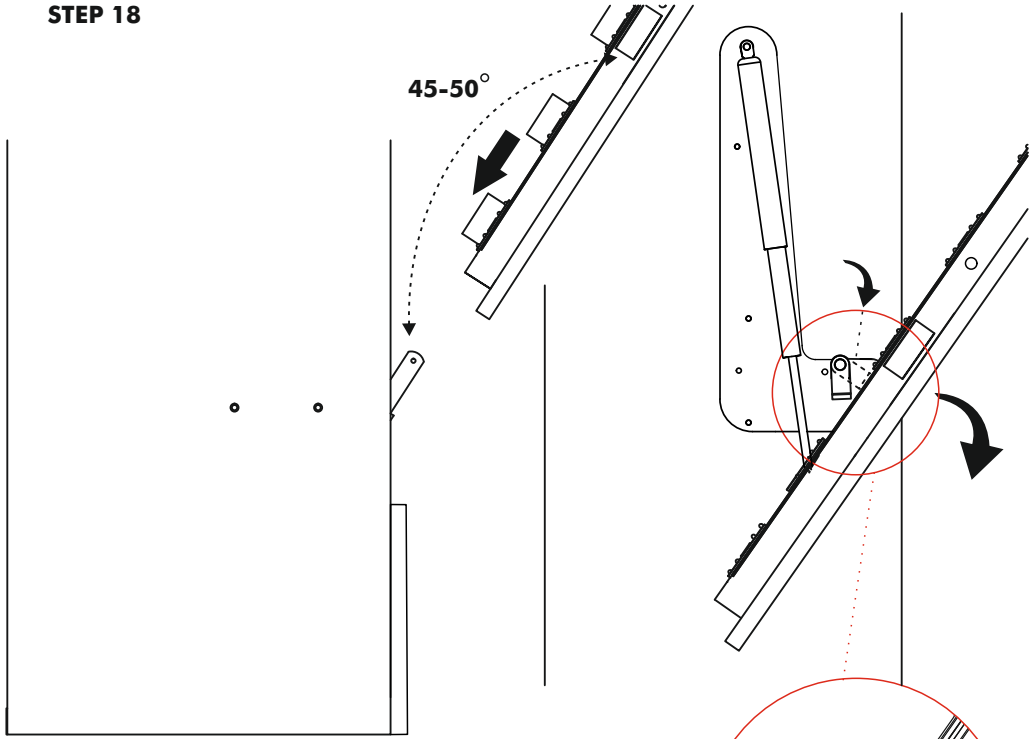
VIDEO



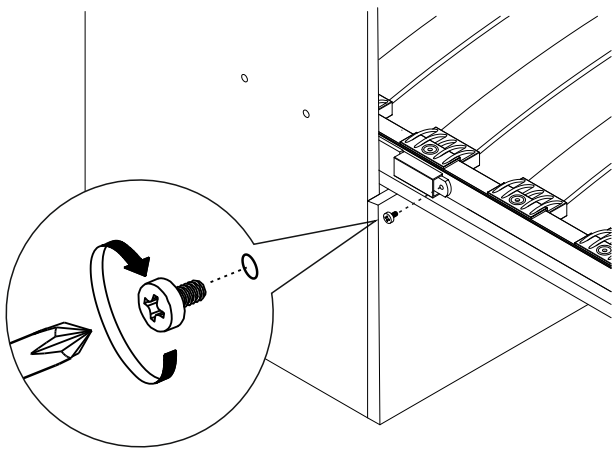
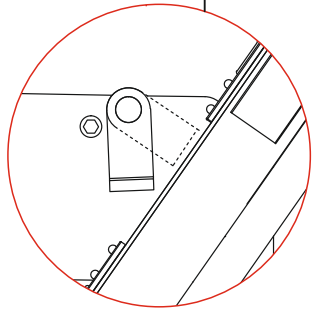
link

STEP 18

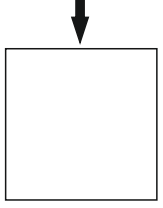
45-50°



LET THE STOPPER LOCK MOVE DOWN !!!

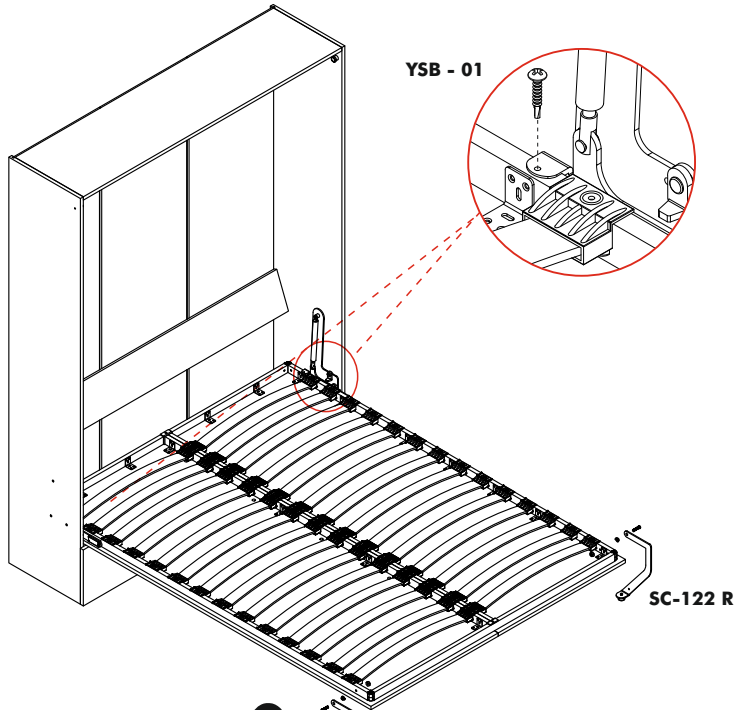


VIDEO

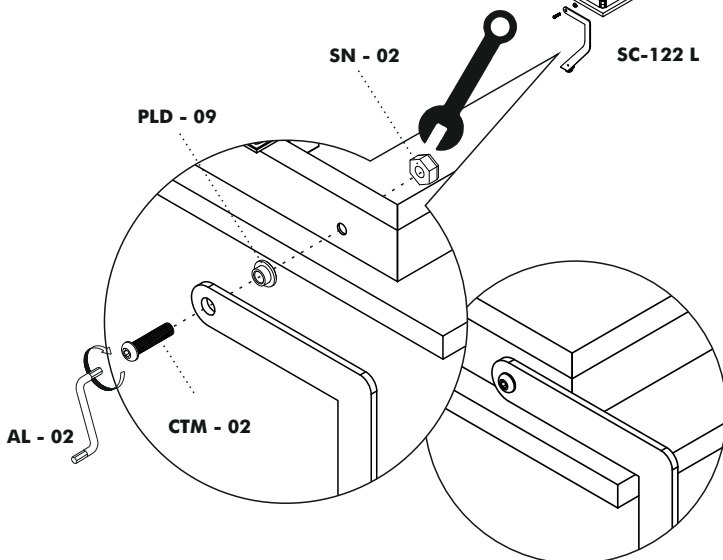


link

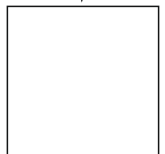
STEP 19



STEP 20

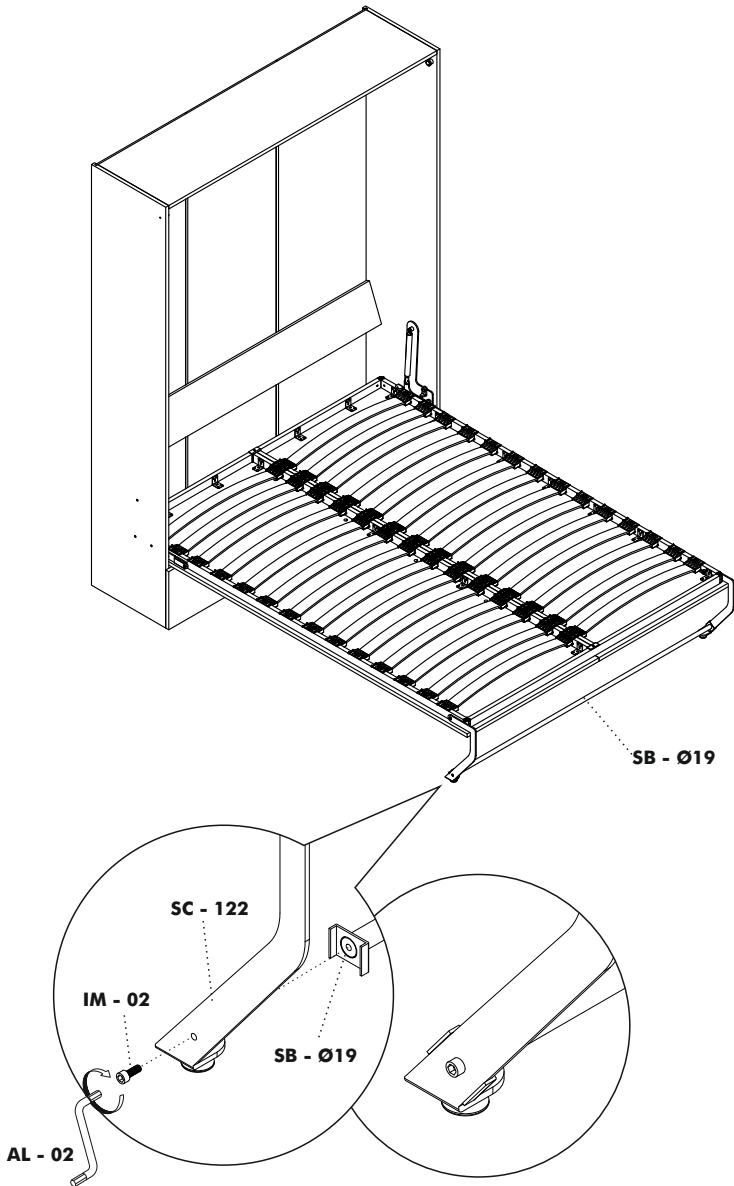


VIDEO

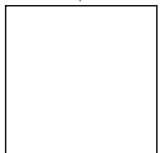


link

STEP 21

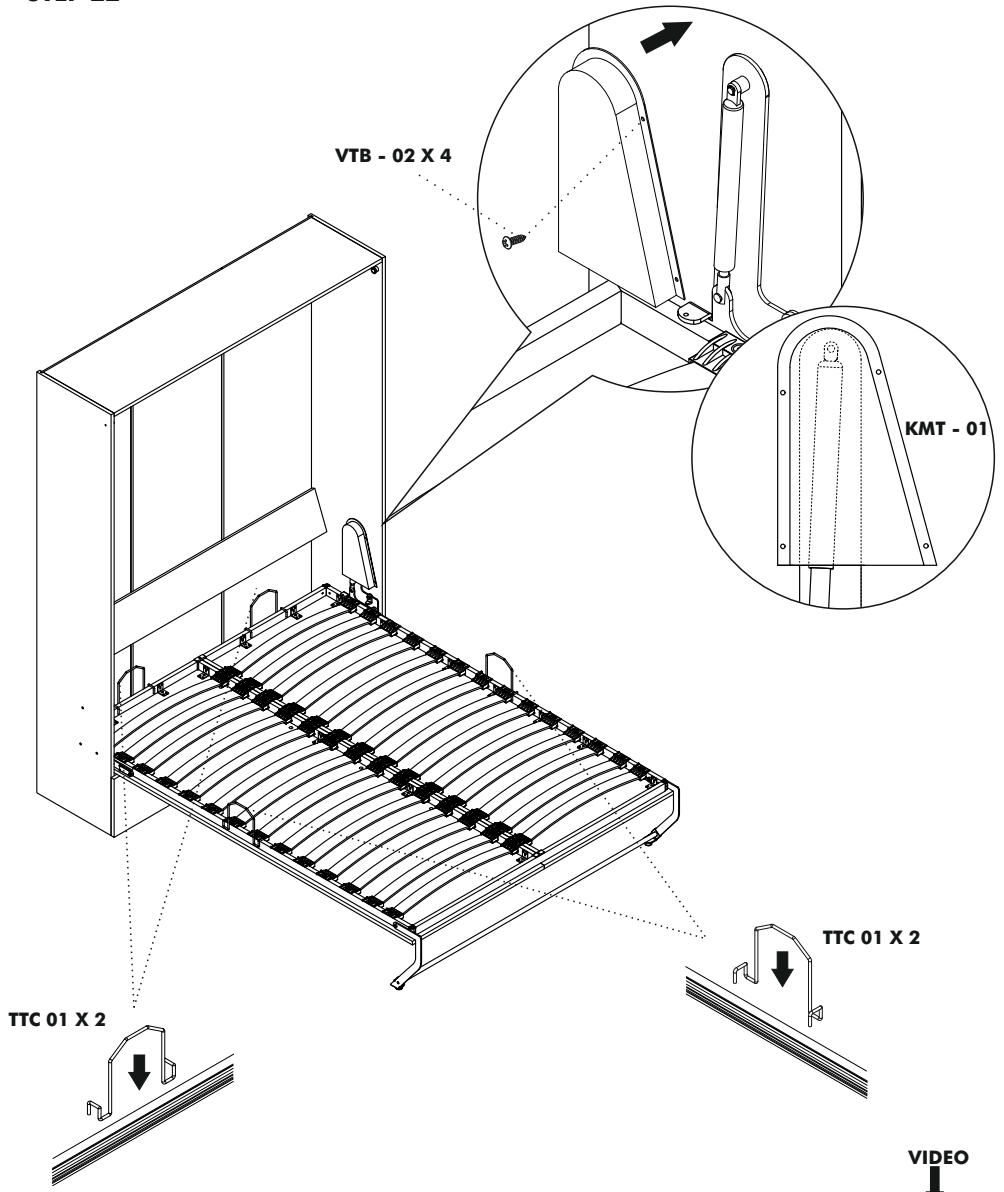


VIDEO

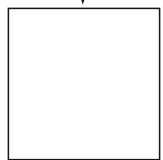


link

STEP 22

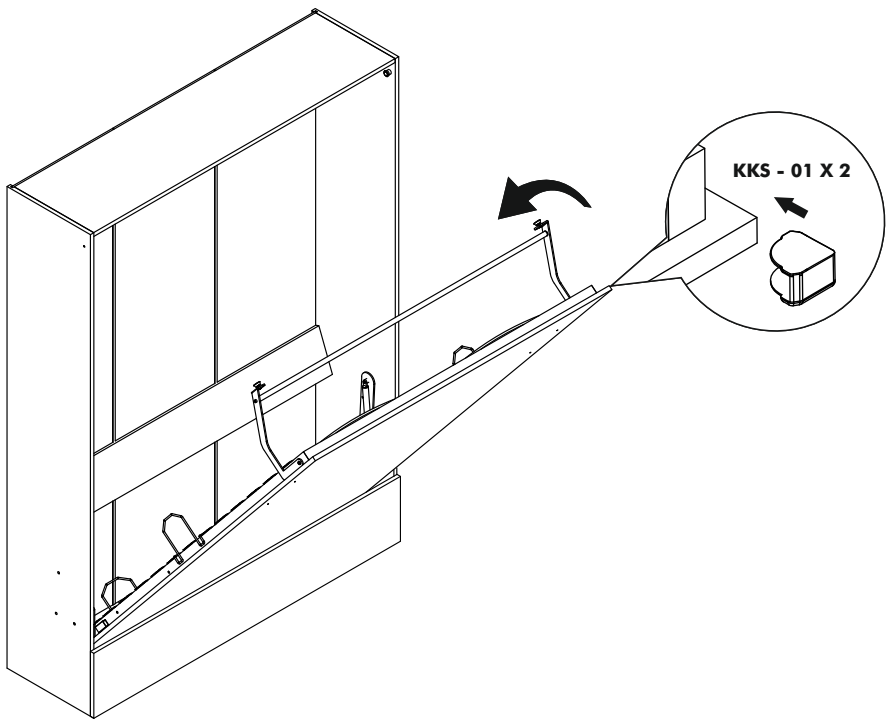


VIDEO

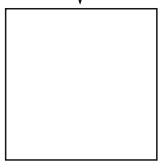


link

STEP 23



VIDEO

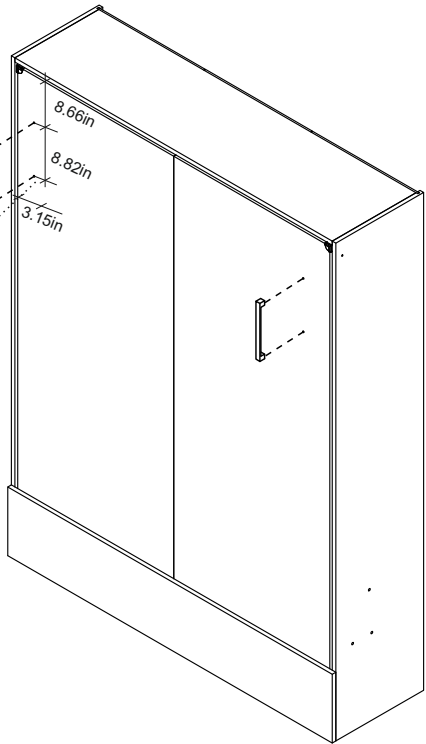


link

STEP 24

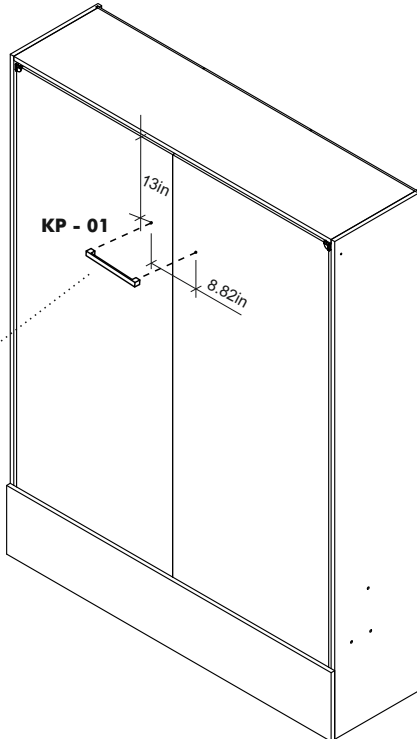
HANDLE MOUNTING
OPTION A

KP - 01

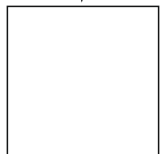


HANDLE MOUNTING
OPTION B

KP - 01



VIDEO



link

ATTENTION / HOW TO / READ ME / OWNER'S GUIDE

1. Wall beds must be securely attached to the wall. Hardware for mounting to concrete, brick or similar strong material is included.
2. When mounting to drywall, wall beds must be attached to wooden or metal studs in 2 or 3 points. Do not mount wall beds directly to drywall or paper-mache type wall without properly attaching it to studs. Please choose appropriate fasteners for the type of wall the bed will be mounted on. Drywall mounting hardware is not included.
3. For safety and product longevity you must periodically inspect the integrity and tightness of the mounting and mechanical connections. Confirm hardware remains properly affixed and connections are snug.
4. Do not lean or rest heavy objects on sides or top of furniture. This may cause balance issues and compromise the integrity of your mounting connections.
5. Please use wall beds and integrated shelves, desks and sofas as intended. Do not jump and/or exceed supported weight limits. Do not sit or lean on integrated shelves and desks. Improper use may cause personal injury and damage to property.
6. With seasonal humidity change please inspect the interior and exterior of the furniture for deformation and/or discoloration.
7. Before any un-mounting or disassembly please contact Multimo Beds for technical support and instructions. Failure to properly detach may result in personal injury and damage to property.



WARNINGS

IMPORTANT! HAZARD WARNING!

All Wall Beds contain sophisticated and powerful lifting mechanism. Failure to follow assembly and installation instructions may result in **severe personal injury and damage of the product.**

SECURE RIGIDLY TO A WALL!

Improper attaching wall bed to a wall will create a tip-over hazard and may result in severe personal injury or even death. **ONLY qualified installers should install or remove a wall bed.**



WARRANTY

RETAIL RESIDENTIAL TERM

Lifetime guarantee on hardware.
5 year structural guarantee on cabinetry.

COMMERCIAL TERM

Lifetime guarantee on hardware.
2 year structural guarantee on cabinetry.



www.multimobeds.com