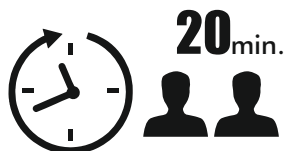
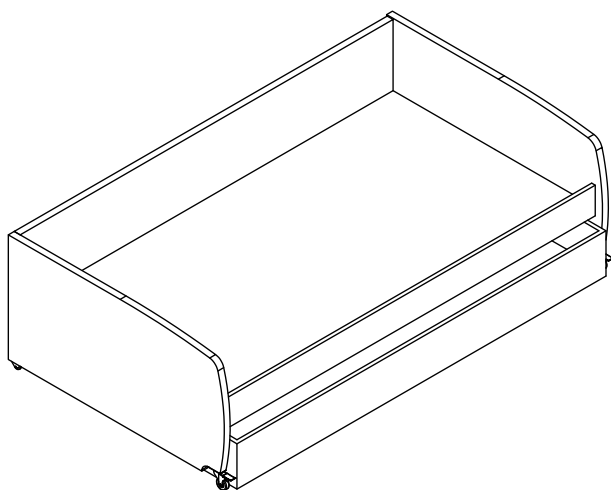


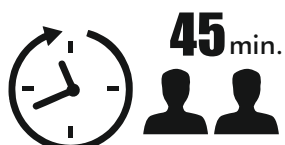


MULTIMO

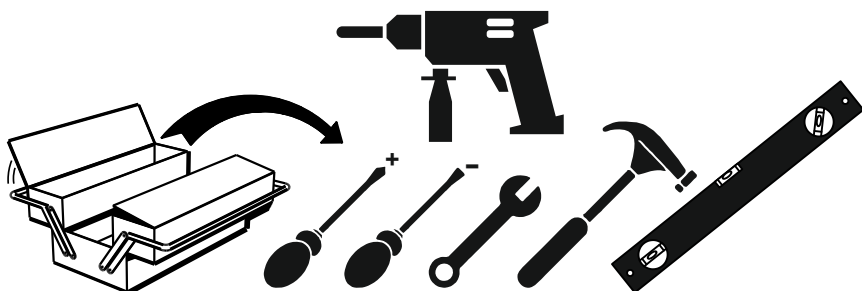
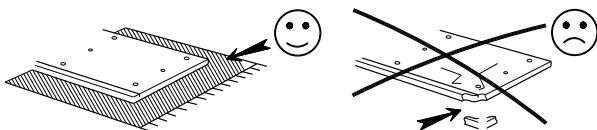
A 216 BEL MONDO TWIN BED A 220 COMPACT TWIN BED



Technical Service



End User



VIDEO

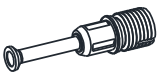

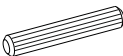


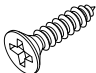
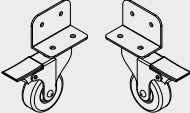

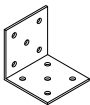


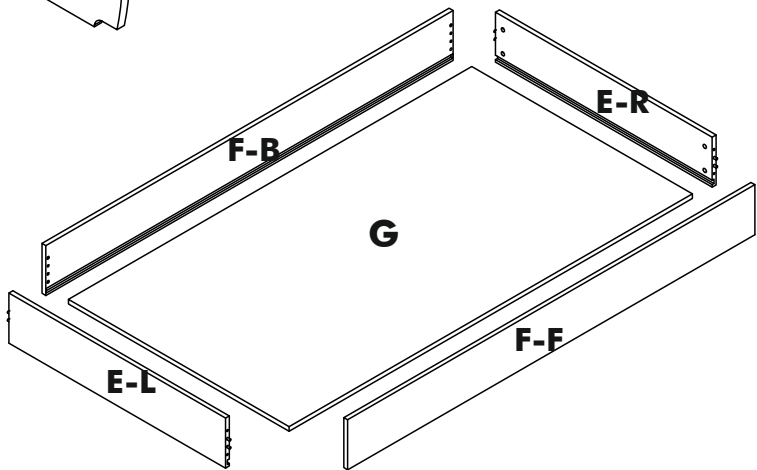
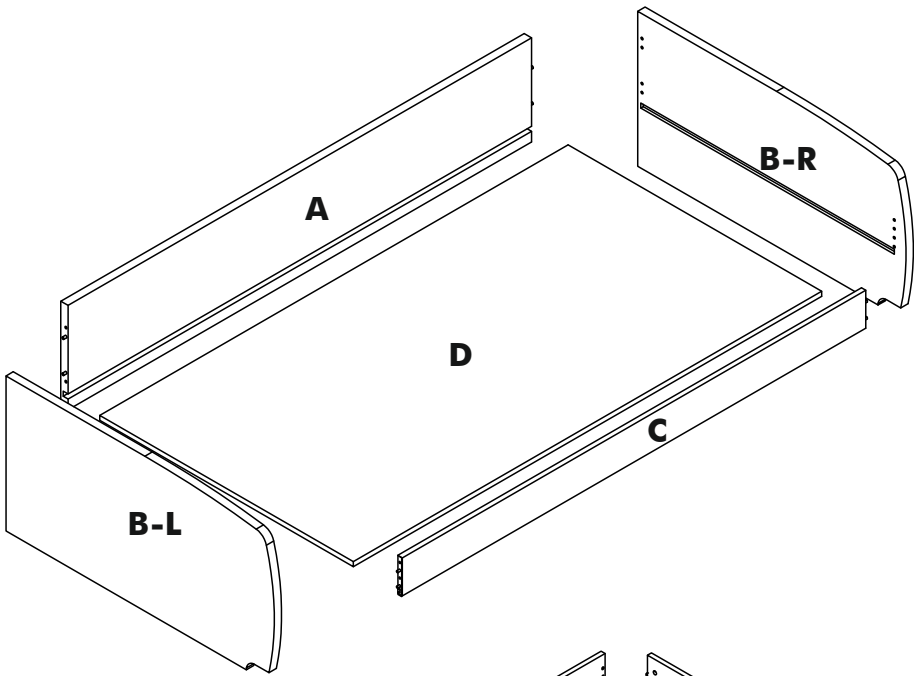
<https://youtu.be/H6R8k03KVIE>

Assembly Instructions

Track Title	Piece	(inch)			(mm)			
		Thickness	Length	Width	Piece	Thick	Height	Most
A		1,18	77,40	15,75	1	30	1966	400
B		1,18	43,31	21,65	2	30	1100	550
C		0,71	77,40	6,30	1	18	1966	160
D		0,71	78,11	40,83	1	18	1984	1037
E		0,71	39,37	8,27	2	18	1000	210
F		0,71	76,61	8,27	2	18	1946	210
G		0,71	75,83	40,00	1	18	1926	1016

Accessories List

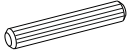
MNX 02  16 / piece TKR - 02 (30 mm)	MNG - 01  16 / piece VD - 05 (4x25) mm	KVL 01  16 / piece TKR-F - 01	TAP - 01  16 / piece VTB - 01 (4,8x16) mm
 8 / piece KB - 01	 4 / piece	 2/ piece	 112 / piece
 12 / piece			



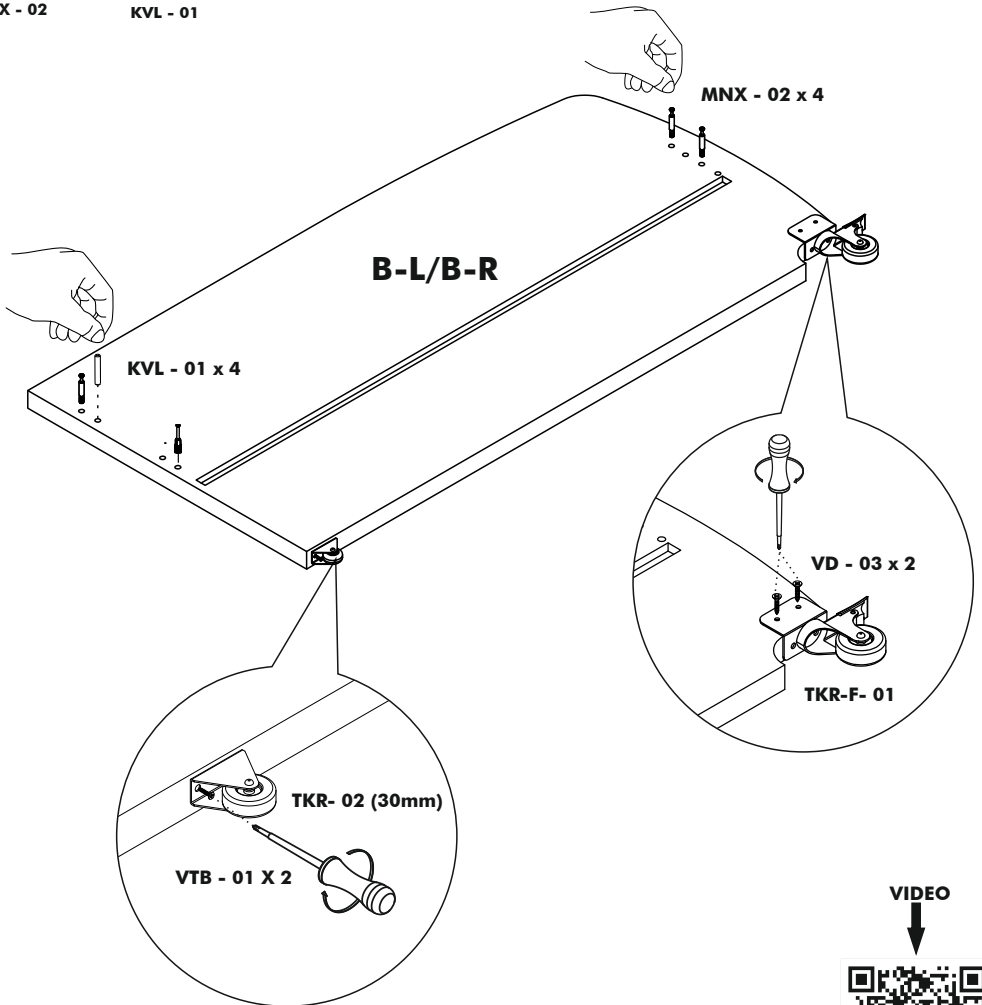
STEP 1



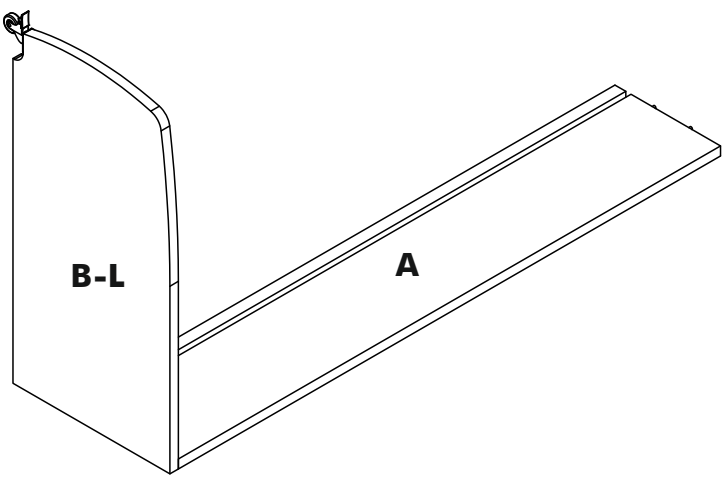
MNX - 02



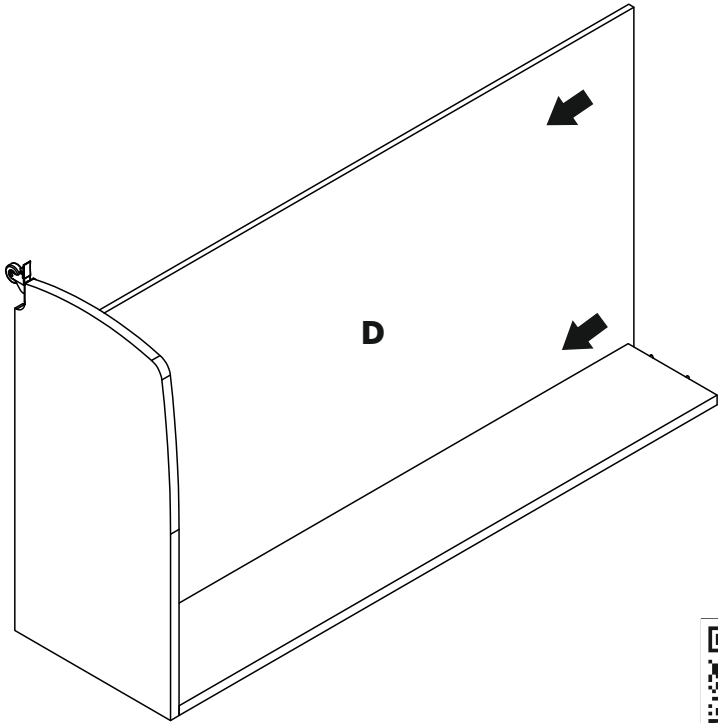
KVL - 01



STEP 2



STEP 3



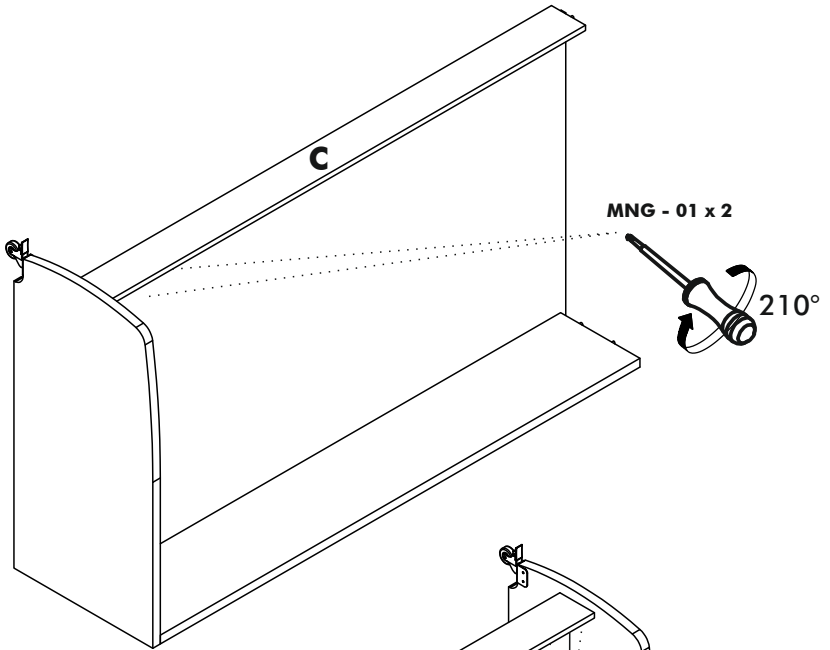
VIDEO



STEP 4



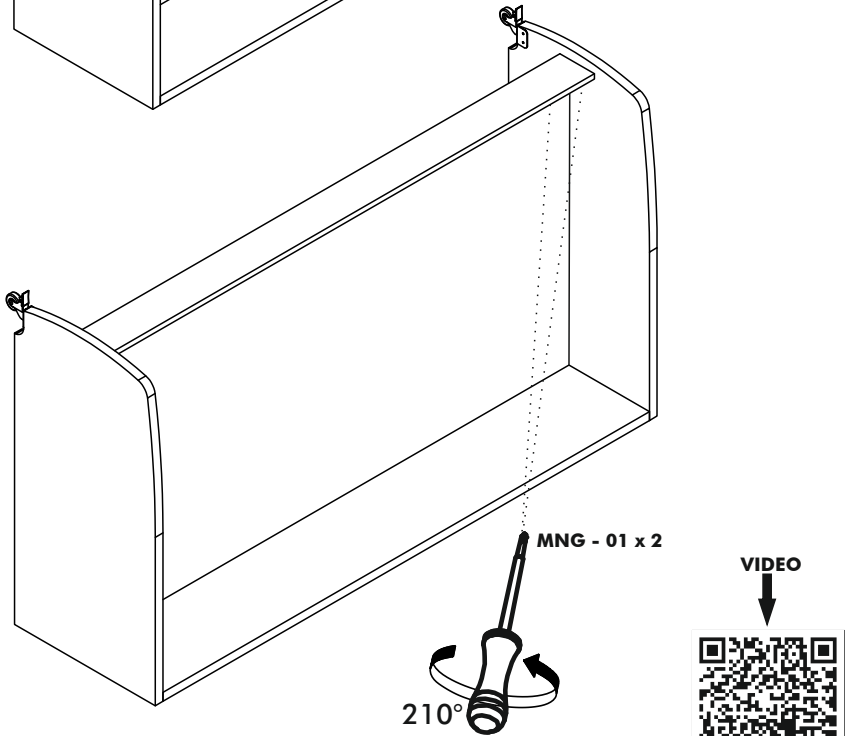
MNG - 01



STEP 5



MNG - 01



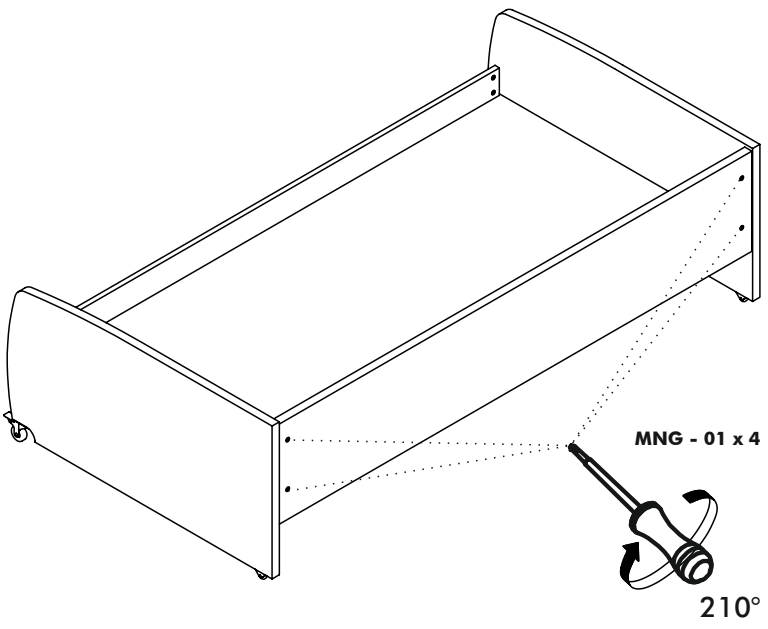
VIDEO



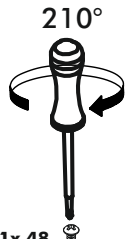
STEP 6



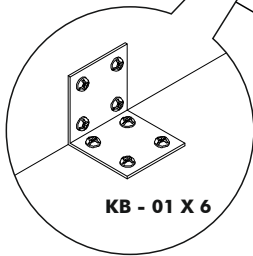
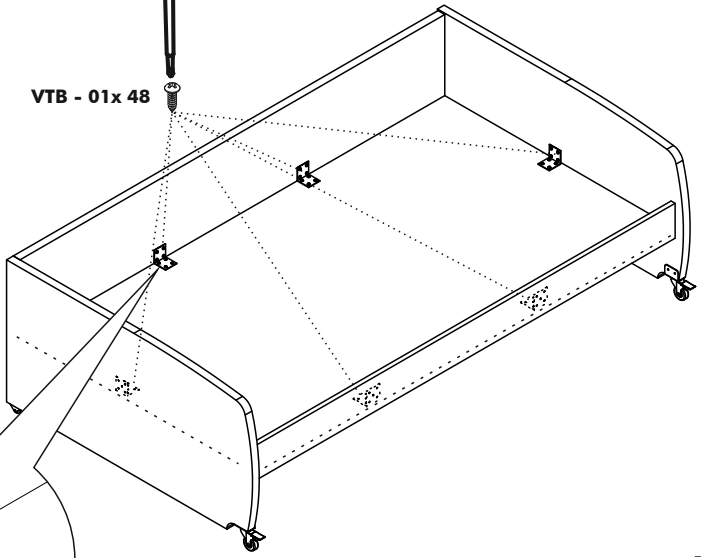
MNG - 01



STEP 7



VTB - 01x 48



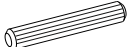
VIDEO



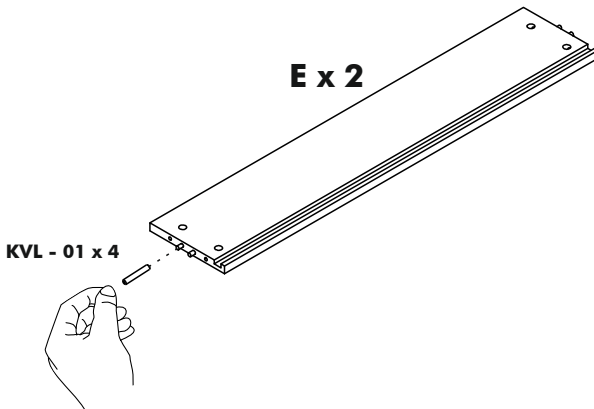
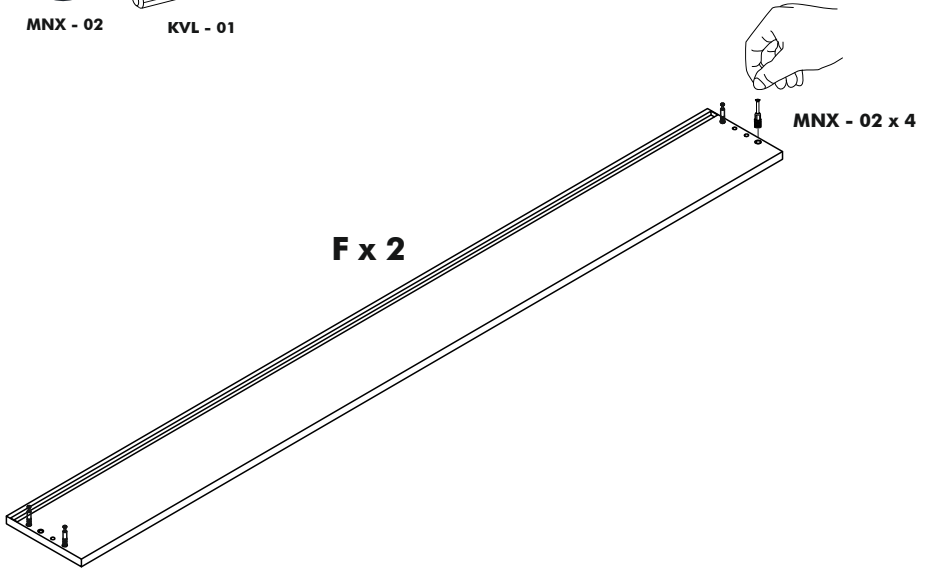
STEP 8



MNX - 02



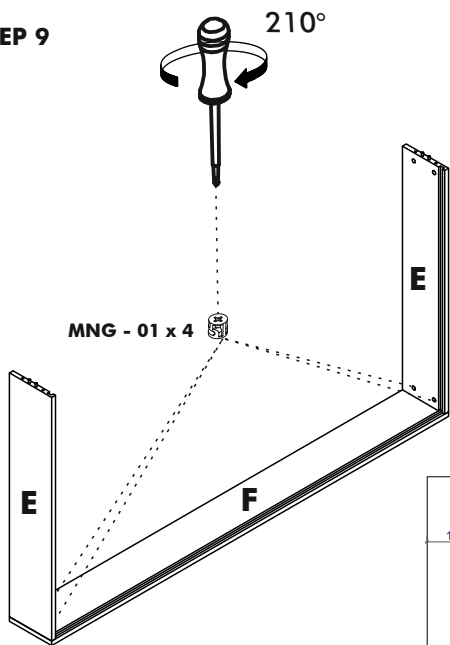
KVL - 01



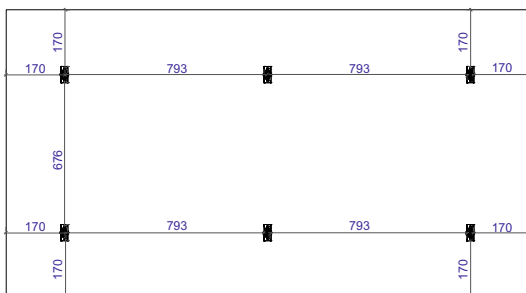
VIDEO



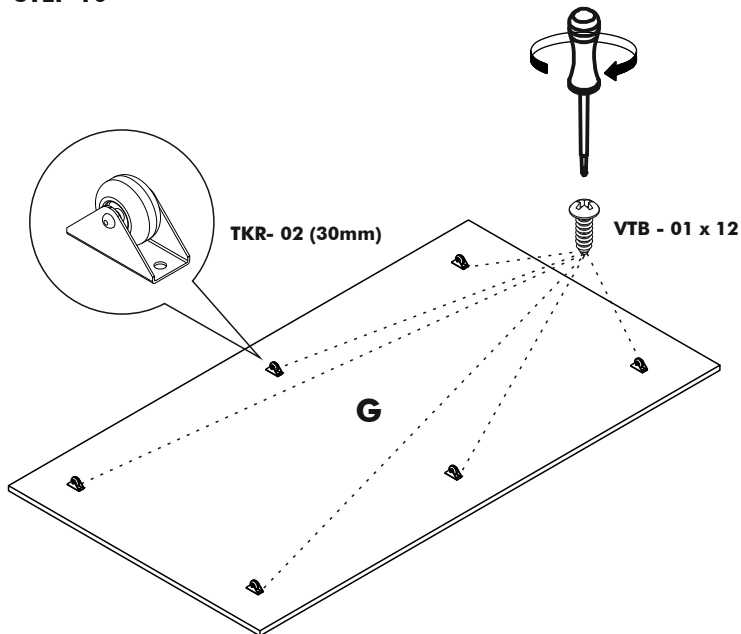
STEP 9



DIMENSIONS



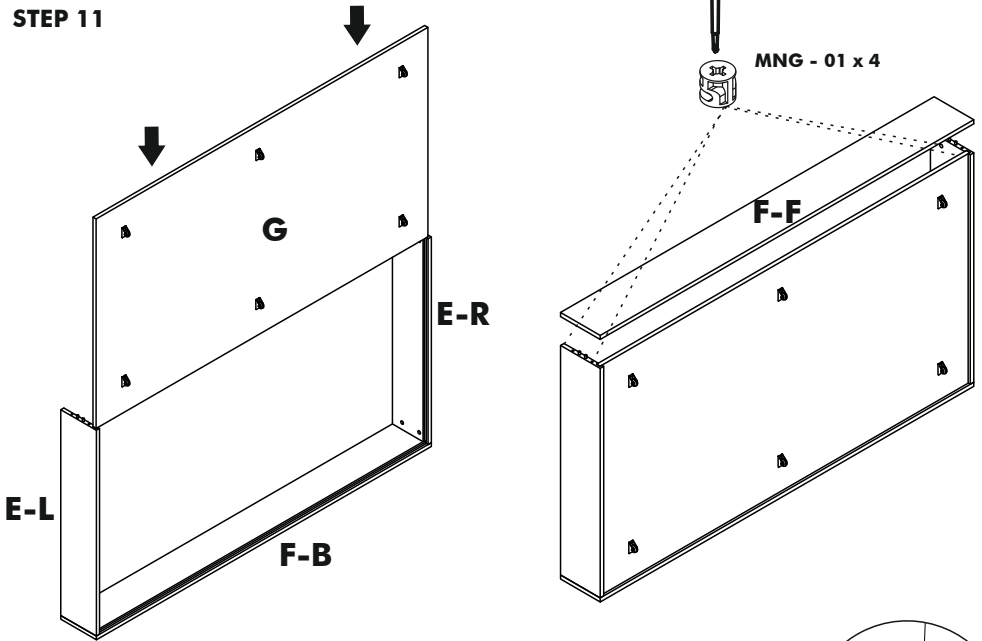
STEP 10



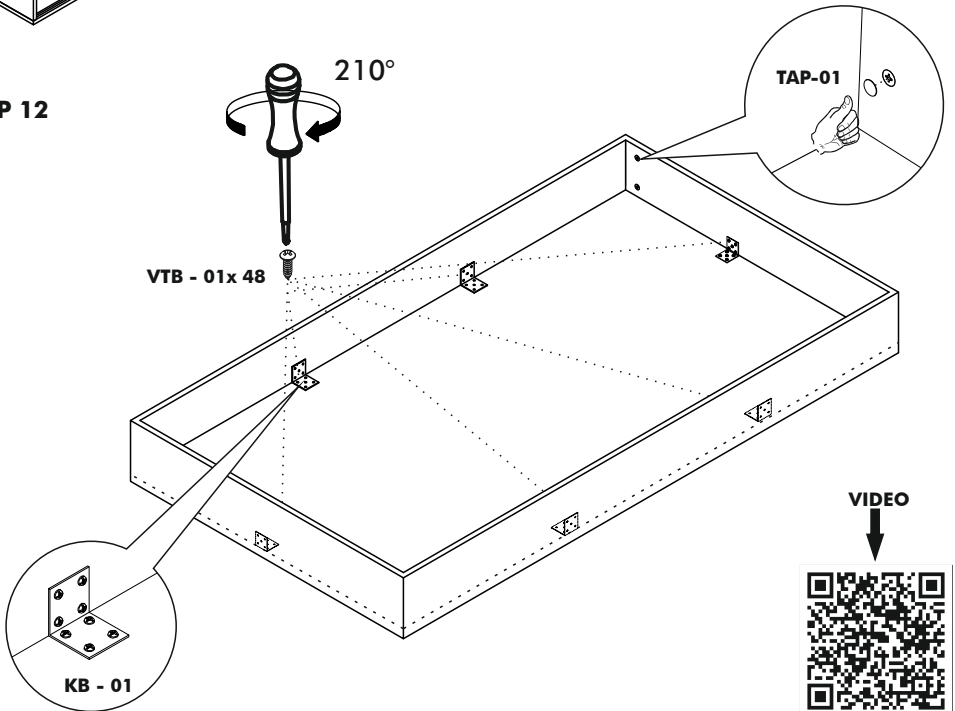
VIDEO



STEP 11



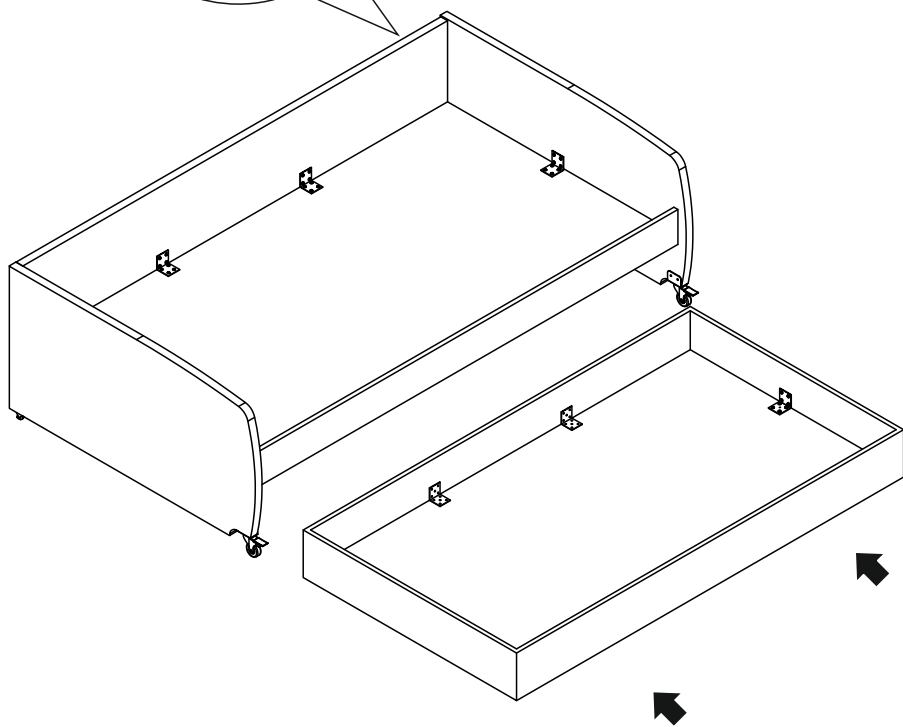
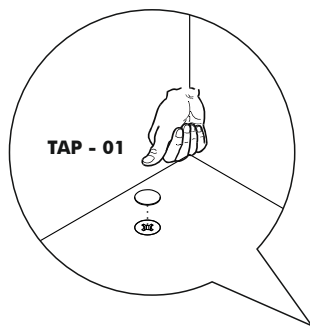
STEP 12



VIDEO

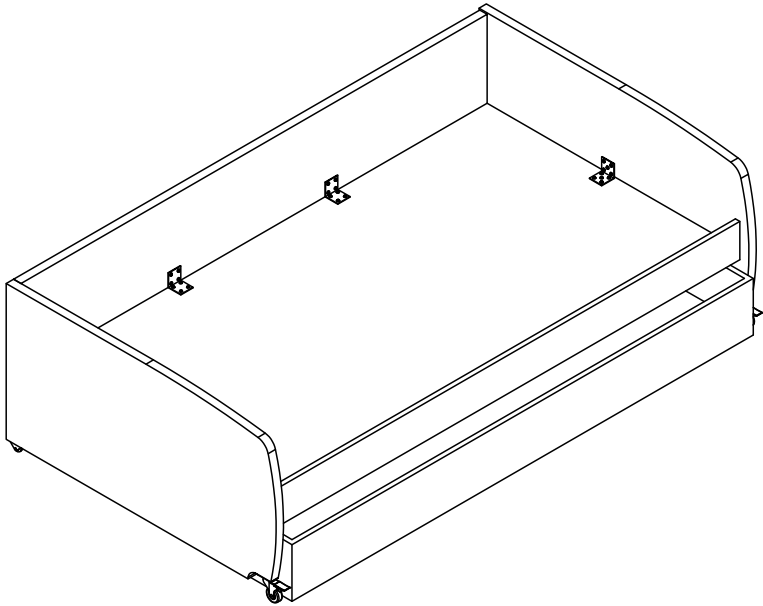


STEP 13



VIDEO





ATTENTION / HOW TO / READ ME / OWNER'S GUIDE

1. Cabinets must be securely attached either to the wall and / or side of the wall bed. Hardware is included
2. When mounting to drywall, use appropriate fasteners, such as toggle bolts or attach to wooden or metal studs. Please choose appropriate fasteners for the type of wall and / or studs the cabinet will be mounted on. Drywall mounting fasteners are not included.
3. For safety and product longevity you must periodically inspect the integrity and tightness of the mounting and mechanical connections. Confirm hardware remains properly affixed and connections are snug.
4. Do not lean or rest heavy objects on sides or top of furniture. This may cause balance issues and compromise the integrity of your mounting connections.
5. Please use cabinet shelves and clothes rails as intended. Do not place extremely heavy items on shelves and / or drawers. Improper use may cause personal injury and damage to property.
6. With seasonal humidity change please inspect the interior and exterior of the furniture for deformation and/or discoloration.
7. Before any un-mounting or disassembly please contact Multimo Beds for technical support and instructions. Failure to properly detach may result in personal injury and damage to property.



WARRANTY

RETAIL RESIDENTIAL TERM

Lifetime guarantee on hardware.
5 year structural guarantee on cabinetry.

COMMERCIAL TERM

Lifetime guarantee on hardware.
2 year structural guarantee on cabinetry.



www.multimobeds.com